

Inboard motors



Benefits

- » Advanced motor technology
- » 3-dimensional adjustable suspension system
- » Masterfully safety features
- » Large-dimensioned thrust bearing
- » Max. smooth running



Model overview

Model	MA25	MA35	MA43	MA70	MA110	MA160	MA300
Output power	2.500 W	3.500 W	4.300 W	7.000 W	11.000 W	16.000 W	30.000 W
Input power	2.800 W	3.960 W	4.830 W	7.860 W	12.350 W	17.970 W	32.600 W
Efficiency	89 %	89 %	89 %	89 %	89 %	89 %	89 %
Voltage	24 VDC	36 VDC	48 VDC	48 VDC	48 VDC	72 VDC	96 VDC
Current	114 A	108 A	99 A	161 A	240 A	239 A	330 A
Motor type	sensorless AC MOTOR						
Suspension	3-D adjustable suspension system						
Warranty	2 years						

Serial components



Battery cables

Battery monitor

Lever

Key switch

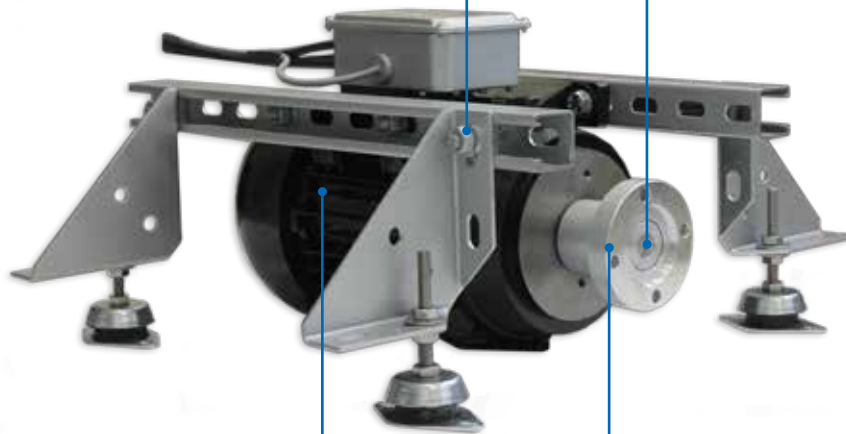
Motor controller

3-DIMENSIONAL ADJUSTABLE SUSPENSION SYSTEM

The installation situation is in several boats quite different. Therefore the axis of the motor should be in the same line as the axis of the propeller shaft for having an ideal smooth running.

Therefore we developed a special 3-dimensional adjustable suspension system which is very easy adaptable. Also it is easier to install due this system. In addition it can absorb the thrust from the propeller shaft.

The optimized mounting brackets damp the vibrations.



POWERFUL AND HIGHLY-EFFICIENT MOTOR

The highly-efficient air-cooled motor is characterized by a superior power structure.

Furthermore it has no sensors inside.

The large-dimensioned thrust bearing can absorb the thrust of the propeller without problems.

SOLID DRIVESHAFT

Giving enough torque to the propeller shaft during absorb max. thrust the shaft of the motor has to be sufficiently robust.

The large-dimensioned stainless steel shaft conform our quality standards exactly.

COUPLING

The coupling is the connection of the power transmission between from the motor shaft to the propeller shaft.

The motor can be adapted to many different shaft types.

The high-end solution is flexible couplings which can be easily compensate axial, radial and angular misalignments.

Also the vibrations and noise will be decrease with this coupling.

Optional



Full-Color Bordcomputer



Homokinetic coupling