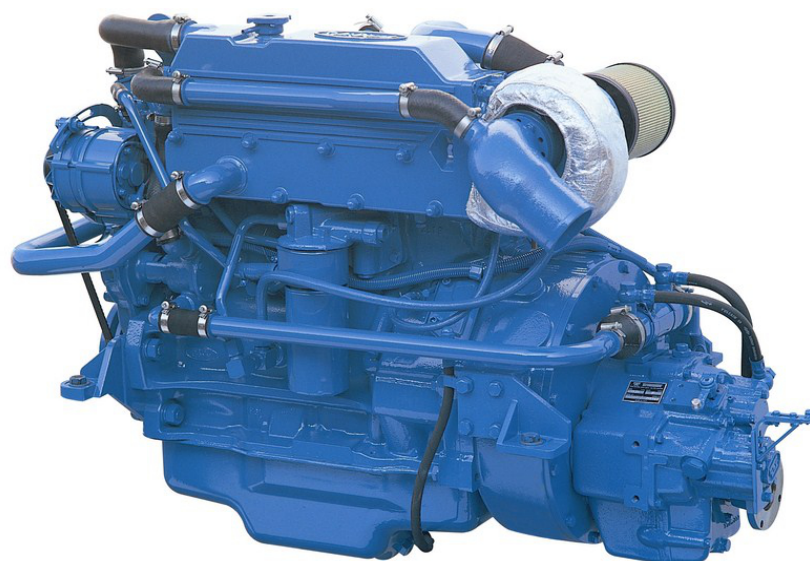




Engine SFN-130

VERSION 2016-6

SPARE PARTS MANUAL



PARTS LIST CATALOGUE

NORMS TO PLACE AN ORDER:

For fast and more efficient service, please specify the following information on spare parts orders that must be preferably done by FAX or e-mail as specified below:

- 1- Engine model: As shown in identification plate
 - 2- Engine serial number: As shown in identification plate and stamped on crankcase
 - 3- Item description + part number + quantity required
-

Spare parts requests must be addressed to:

recambios@solediesel.com

Telf.: +34 93 775 44 05

Fax: +34 93 775 30 13

The components shown in the catalog have:

- Figure: Number by which they are represented in scheme
 - Description: Trade name of the component
 - Quantity: Total number of parts used in the assembly of the part represented (may differ from the total minimum quantities)
- Hoses, indicates the total length in meters
-

The diagrams shown in this catalog of spare parts, have only the purpose to identify the piece in question, its representation is not meaningful and may differ from the actual piece.

In case of doubt, contact Solé Diesel, or your authorized dealer.

The parts i / or references in this catalog are subject to change without notice.

[SOLÉ, S.A.](#)

C-243b, Km, 2 - P.O. BOX 15
08760 Martorell (Barcelona) Spain

Download the latest version of this manual [HERE](#)

Engine Body

Cylinder Head
Breather
Timing Parts
Gear Case
Crankcase
Crankshaft & Con Rod Bearings
Piston
Flywheel
Crankshaft & Connectiong Rod
Additional Masses
Oil Sysem
Oil Filter
Oil Pan
Engine Brackets
Bracket, Engine Control

Inlet & Exhaust

Inlet

Cooling System

Water Pump
Thermostat
Turbocharger
Outgoing Water Circuit
Water Cooler
Water Lines
Cooler Pipes
Water Pump Set

Fuel System

Fuel Pipe
Injection Nozzle
Fuel Injection Pump
Injection Pump Drive
Fuel Lines

24V Electrical System

Kit Alternator
Alternator 12V/70A
Alternator 24V/35A
Kit Alternator
Alternator 14V/70A
Starter
24V Electrical Wiring

Instrument Panel
Deluxe Instrument Panel

Maintenance Kit

Gasket Kit

Gearbox Kit

Gearbox Kit, TM-93/170



D_SF13_1_1			Cylinder Head
FIG.	REF.	QTY	DESCR.
1	19021001	1	Cylinder,head
2	19021012	7	Plug
3	19020012	1	Plug
4	19021004	1	Gasket
5	19021005	13	Screw
6A	19021062	4	V.seat std. EXH.
6B	19021063	4	V.seat O.25mm EXH.
6C	19021064	4	V.seat O.51mm EXH.
6D	19021065	4	V.seat O.76mm EXH.
7A	19021006	4	V.seat std.INT.
7B	19021067	4	V.seat O.25mm INT.
7C	19021068	4	V.Seat O.51mm INT.
8	19021010	1	Gasket
9	19021011	10	Screw
10	19021009	1	Cover [NP]
11	19021015	1	Filter element
12	19021016	1	VENT
13A	19122055.1	4	Intake Valve STD
13B	19122055A	4	Intake Valve 0.38
13C	19122055B	4	Intake Valve 0.76
14	19022057	8	Spring
15	19022054	8	Seal Valve
15A	19022054.1	8	Seal Valve
16	19022058	4	Plate Intake
17	19022059	16	LOCK CONE
17*	19022059.1	16	LOCK CONE
18	19022063	4	SLEEVE
19	19022062	4	Plate exhaust
19*	19022062.1	4	Plate
20A	19022056.1	4	Exhaust Valve STD.
20B	19122056A	4	Exhaust Valve 0.38
20C	19122056B	4 <td Exhaust Valve 0.76	
21	19022041	8	ROD
22	19022061	8	Tappet
23	19021019	1	HOOK

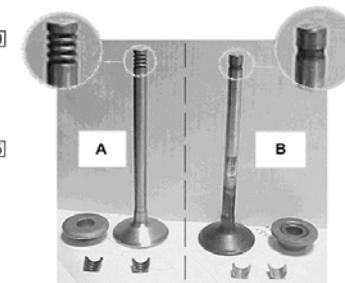
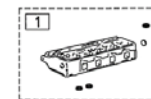
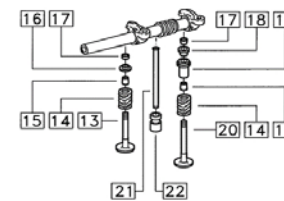
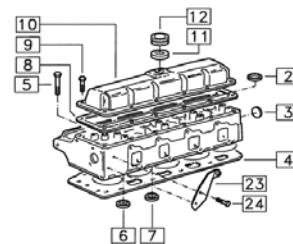


FIG17*
FIG19*
FIG20*

FIG17
FIG19
FIG20

[NP] Not provided



D_SF13_1_1			Cylinder Head
FIG.	REF.	QTY	DESCR.
24	19021074	2	Screw

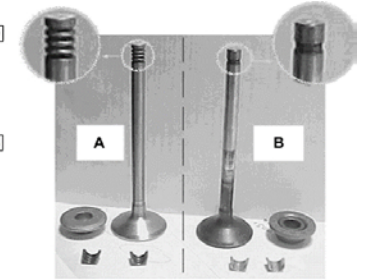
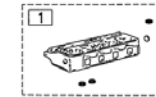
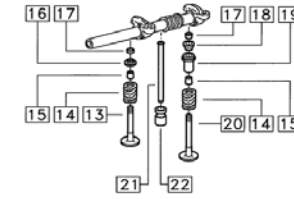
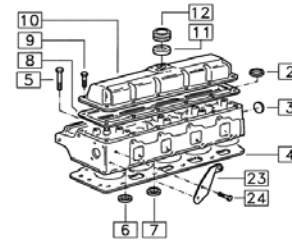
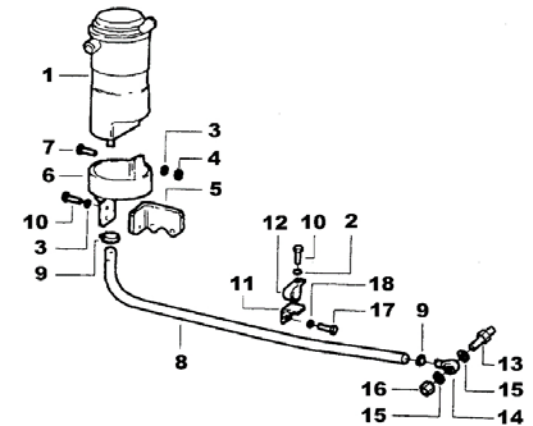
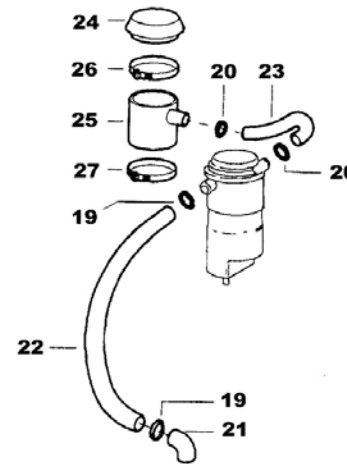


FIG17*
FIG19*
FIG20*

FIG17
FIG19
FIG20

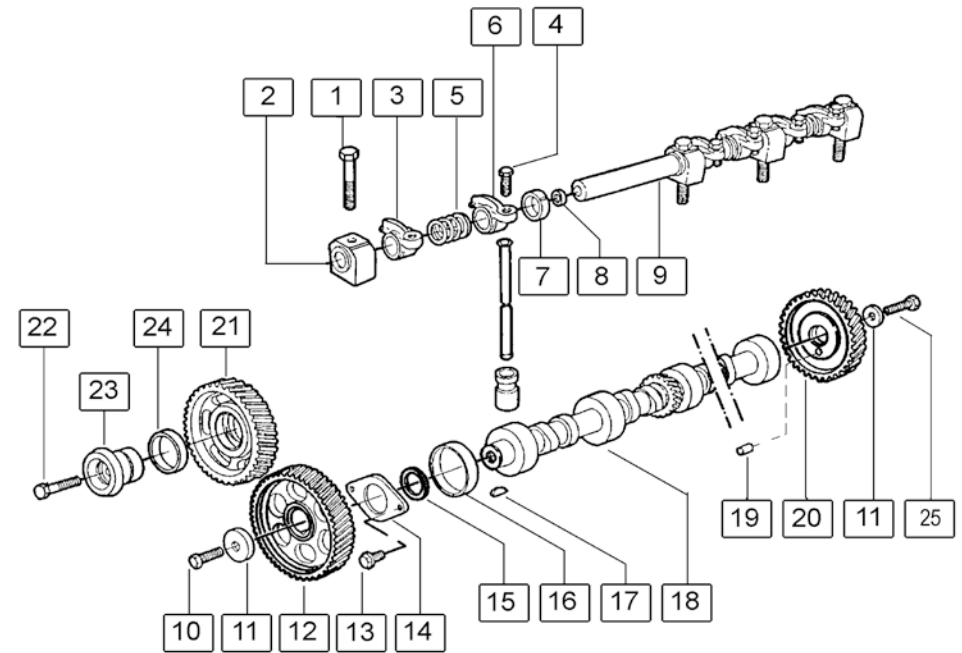
D_SF13_1_2			Breather
FIG.	REF.	QTY	DESCR.
1	19020150	1	Tank
2	51031008	1	Washer DIN 9021 8
3	19020152	3	LOCKWasher
4	19020153	1	Nut
5	19020154	1	Bracket
6	19020157	1	Clamp
7	19020158	1	Screw
8	19120160	1	Hose Flexible
9	19020161	2	Clamp
10	19020162	3	Screw
11	19020163	1	Bracket
12	19020166	1	Clamp [NP]
13	19020167	1	Union
14	19020168	1	Connection
15	59031014	2	Washer
16	19020172	1	Plug
17	19020173	1	Screw
18	51031006	1	Washer DIN 9021 6
19	54082025	4	Clamp DIN 3017 25-40/12 W4
20	54082025	1	Clamp DIN 3017 25-40/12 W4
21	19010036	1	Elbow
22	19010035	1	Pipe



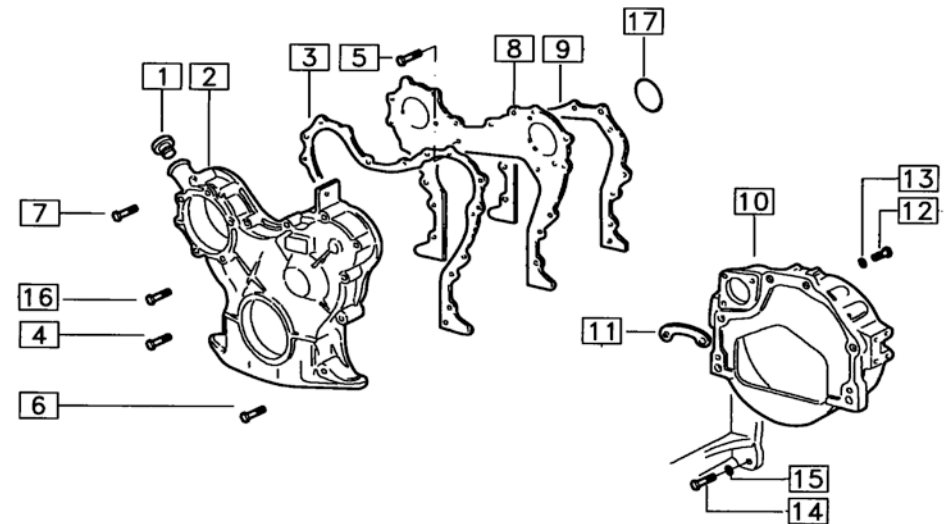
[NP] Not provided



D_SF10_1_4			Timing Parts
FIG.	REF.	QTY	DESCR.
1	19022053	5	Screw
2	19022048	5	Support
3	19022042	4	Rocker(intake)
4	19022044	8	Screw
5	19022047	4	Spring
6	19022045	4	Rocker(exhaust)
7	19022049	4	Spacer
8	19022081	2	Plug
9	19022046	1	Shaft
10	52301319	2	Bolt DIN 931 W7/16-80 8.8
11	19022076	2	Washer
12	19022037	1	Gear
13	19022069	2	Screw
14	19022075	1	Plate
15	19022078	1	Spacer
16	19022079	3	Bush
17	19022021	1	KEY
18	19022035	1	CamShaft
19	19022080	1	Dowell
20	19022066	1	Gear
21	19022043	1	Gear
22	19022082	1	Screw
23	19022083	1	Bush
24	19022084	1	Bush
25	52302309	1	Bolt DIN 933 W7/16-30 8.8



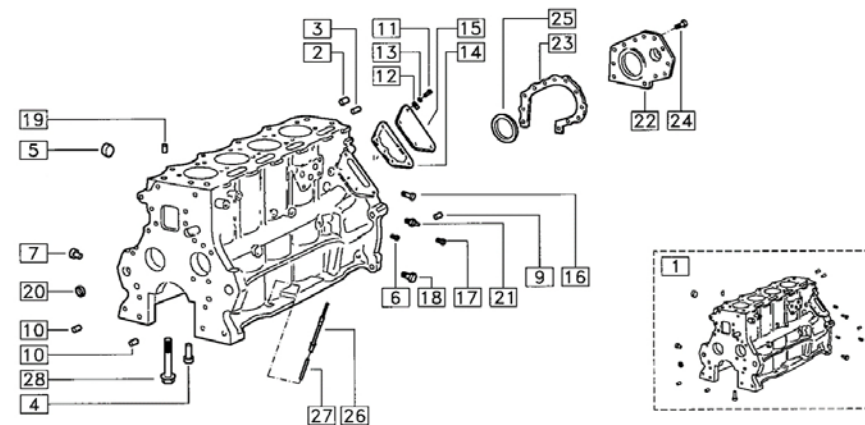
D_SF10_1_5			Gear Case
FIG.	REF.	QTY	DESCR.
1	19021003	1	Cap Oil FILLER
2	19020035	1	Case Gear
3	19020040	1	Gasket
4	19020062	4	Screw
5	19020050	2	Screw
6	19020051	8	Screw [NP]
7	19020060	2	Screw
8	19020024	1	Plate
9	19020025	1	Gasket
10	19020002	1	FLYWEEL Housing
12	19020055	2	Bolt DIN 912 3/4 SAE 2
13	53033020	2	Washer GROWER DIN 127-20
14	19020057	4	Screw
15	19020058	4	LOCKWasher
16	19020059	1	Screw
17	19010006	1	O-Ring D. 83X3,5



[NP] Not provided



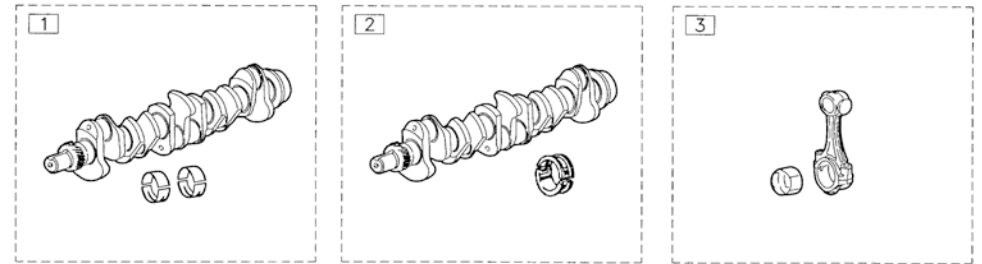
D_SF13_1_6A			Cranckcase
FIG.	REF.	QTY	DESCR.
1	19020001	1	CRANKCase
2	19020012	1	Plug
3	19020023	1	Plug
4	19020027	4	JET
5	19020013	2	Plug
6	19020009	3	Plug
7	19020021	2	Plug
9	19020026	2	Dowell
10	19020011	2	Dowell
11	19024076	4	Screw
12	19020019	1	Retainer
13	19020020	1	LOCKWasher
14	19020038	1	Gasket
15	19120061	1	Cover
16	19020041	1	Union
17	19020042	1	Plug
18	19020043	1	Plug [NP]
19	19020049	2	Pin
20	19020044	1	Plug
21	19027027	1	SENDING,unit 0,7
22	19020045	1	Plate
23	19020046	1	Gasket
24	19020047	12	Screw
25	19020048	1	Seal
26	19020029	1	Gauge Oil LEVEL
27	19020039	1	Pipe [NP]
28	19020010	10	Screw



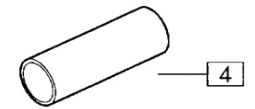
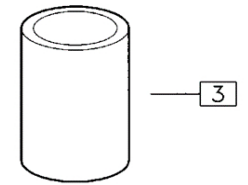
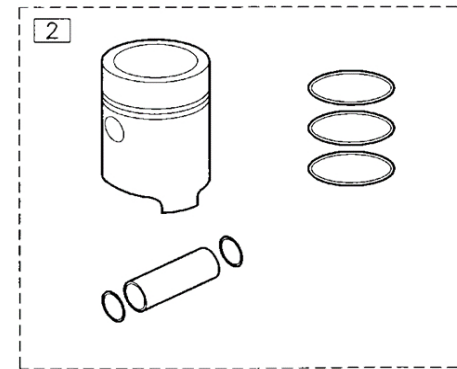
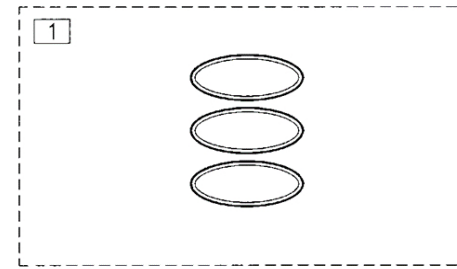
[NP] Not provided



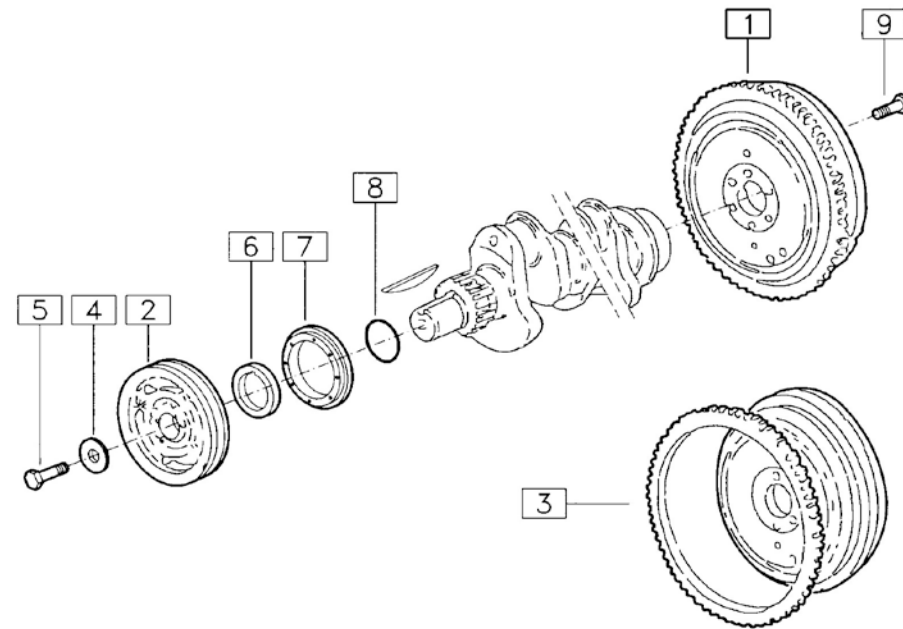
D_SF10_1_6B		Crankshaft & Con Rod Bearings	
FIG.	REF.	QTY	DESCR.
1A	19020003	4	Set of bearings std.
1B	19020004	4	Set of bearings(0-254mm)
1C	19020005	4	Set of bearings(-0.508mm)
1D	19020006	4	Set of bearings(0.762mm)
1E	19020007	4	Set of bearings(-1.016mm)
2A	19020109	1	Set of bearings std.
2B	19020110	1	Set of bearings(-0.254mm)
2C	19020111	1	Set of bearings(-0.508mm)
2D	19020112	1	Set of bearings(-0.762mm)
2E	19020113	1	Set of bearings(-1.016mm)
3A	19022014	4	CON. rod bearing
3B	19022015	4	CON. rod bearing(0.254mm)
3C	19022016	4	CON. rod bearing(0.508mm)
3D	19022017	4	CON. rod bearing(0.762mm)
3E	19022019	4	CON.rod bearing(1.016mm)



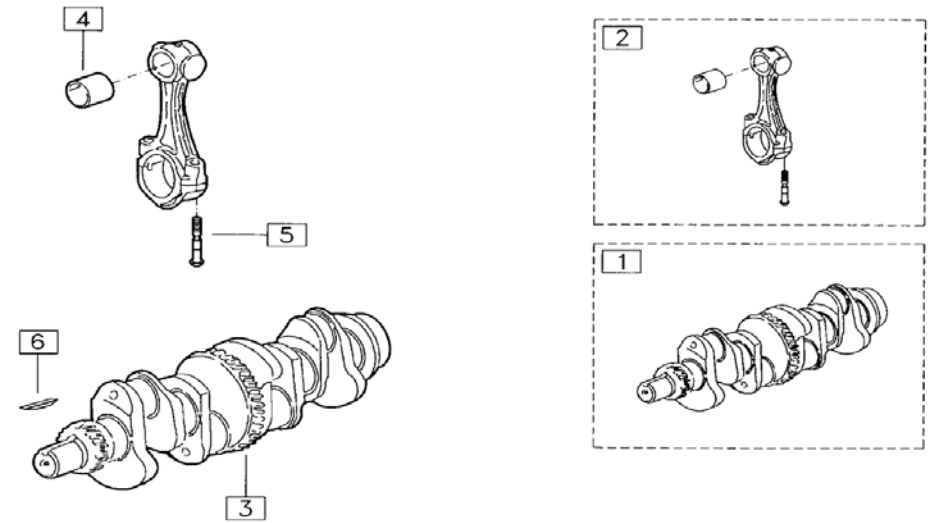
D_SF13_1_8			Piston
FIG.	REF.	QTY	DESCR.
1	19122006	4	Set of rings std.
2	19122001	4	COMPL.piston std.
3	19020052	4	Cylinder,liner
4	19122011	4	Piston,pin
5	19122032	8	LOCKRing



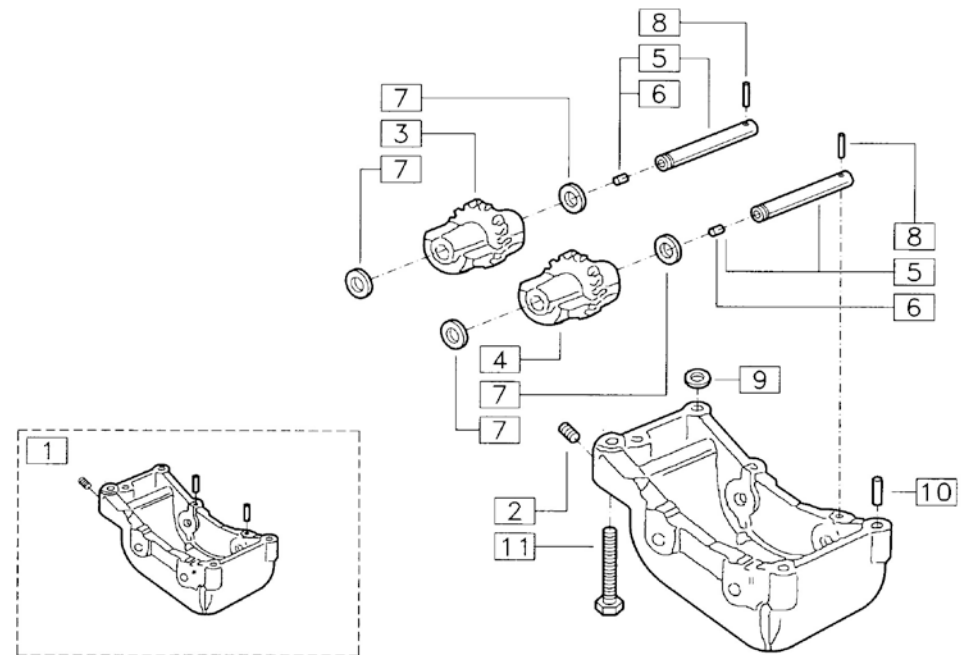
D_SF10_1_9A			Flywheel
FIG.	REF.	QTY	DESCR.
1	19022027	1	Flywheel(Assy)
2	19022024	1	Pulley
3	19022029	1	Ring,Gear
4	19022025	1	Washer
5	19022026	1	Screw
6	19022034	1	Spacer
7	19022030	1	Seal
8	19022036	1	O-Ring D. 32X3,5
9	19022031	6	Screw



D_SF13_1_9B		Crankshaft & Connecting Rod	
FIG.	REF.	QTY	DESCR.
1	19022018	1	CrankShaft
2	19122012	4	CONNECTING,rod
3	19022023	1	Gear
4	19122033	4	Bushing
5	19022013	8	Screw
6	19022010	1	KEY



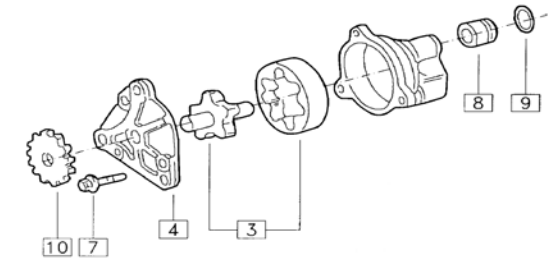
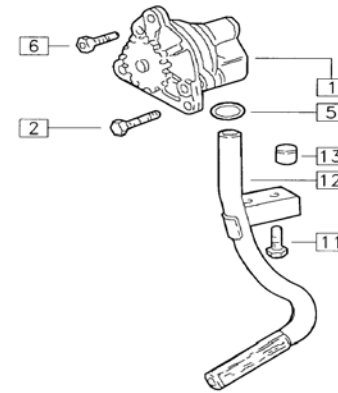
D_SF10_1_9C			Additional Masses
FIG.	REF.	QTY	DESCR.
1	19020200	1	Support,Assy [NP]
2	19020201	1	Plug
3	19020202	1	Gear
4	19020203	1	Gear
5	19020204	2	Shaft
6	19020205	2	Plug
7	19020206	4	Washer
8	19020207	2	Pin
9	19020208	1	O-Ring D. 16X1,8
10	19020049	2	Pin
11	19020210	4	Screw



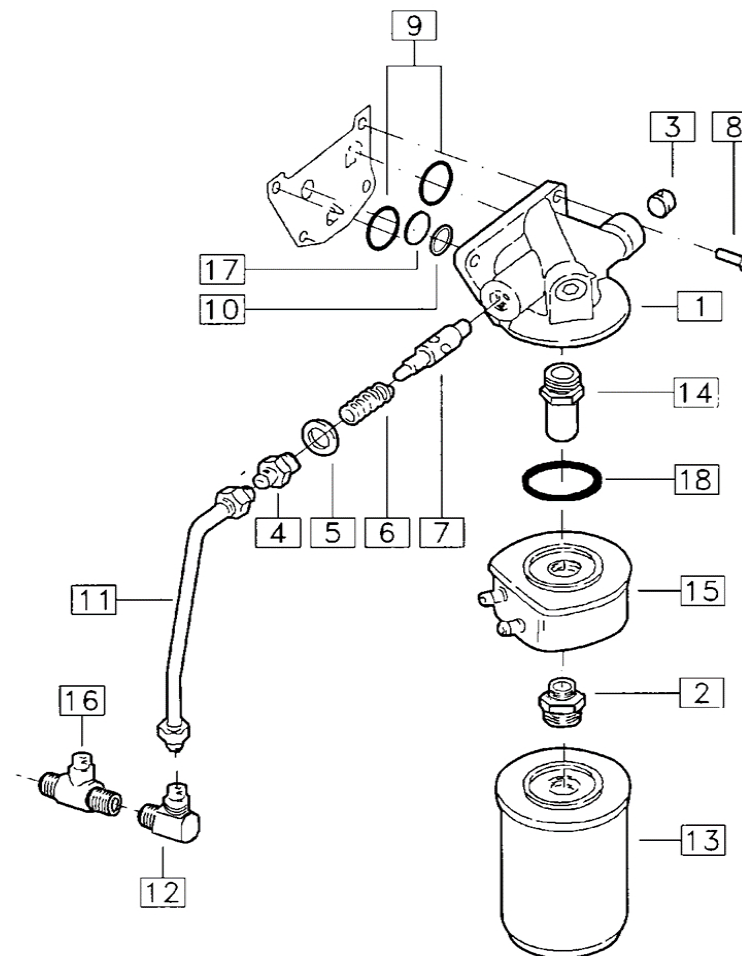
[NP] Not provided



D_SF10_1_10A			Oil System
FIG.	REF.	QTY	DESCR.
1	19024040	1	Oil,pump(Assy)
2	19024069	3	Screw
3	19024042	1	Rotor
4	19024061	1	Cover
5	19024049	1	O-Ring
6	19024063	1	Screw
8	19024092	1	SLEEVE
9	19024093	1	O-Ring D. 25X3,5
10	19024094	1	Gear
11	19024095	1	Screw
12	19024052	1	SCOOP
13	19024053	1	Plug



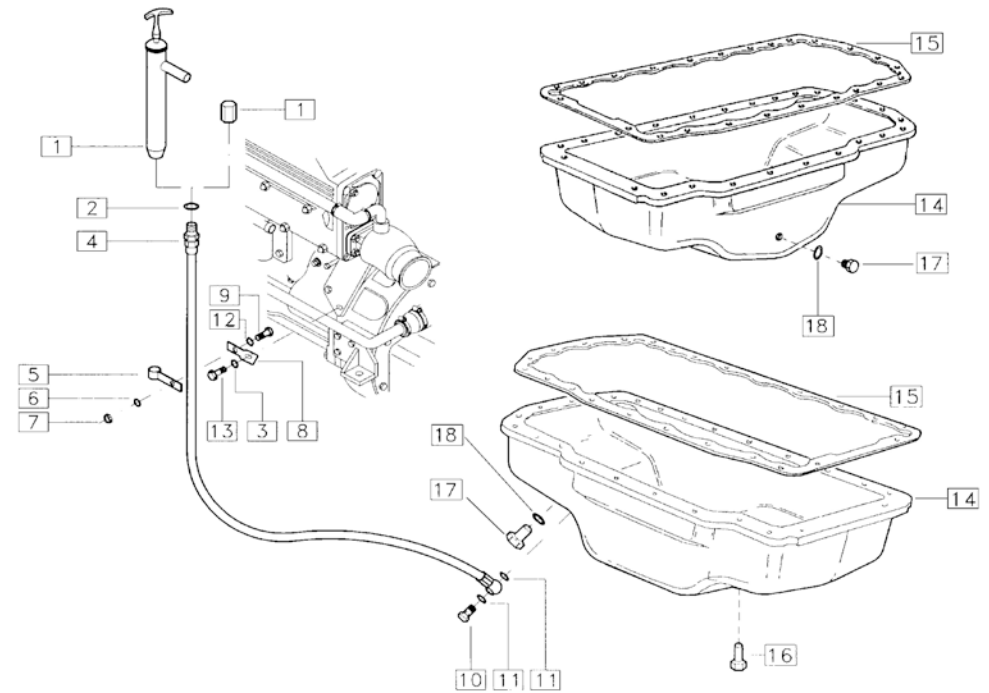
D_SF13_1_10B			Oil Filter
FIG.	REF.	QTY	DESCR.
1	19124056	1	Support
2	19024055	1	Connection
3	19024072	3	Plug
4	19024073	1	Connection
5	19024074	1	O-Ring D. 27X3
6	19024075	1	Spring
7	19024065	1	Valve
8	19024076	4	Screw
9	19024077	2	O-Ring D. 35X3,5
10	19024078	1	O-Ring D. 37X3,5 [NP]
11	19124080	1	Pipe
12	19124081	1	Connection
13	19024051	1	Filter,oil
14	19024054	1	Connection
15	19024085	1	Heat,Exchanger
16	19124083	1	Connection
17	19124082	1	Plug
18	19024087	1	O-Ring



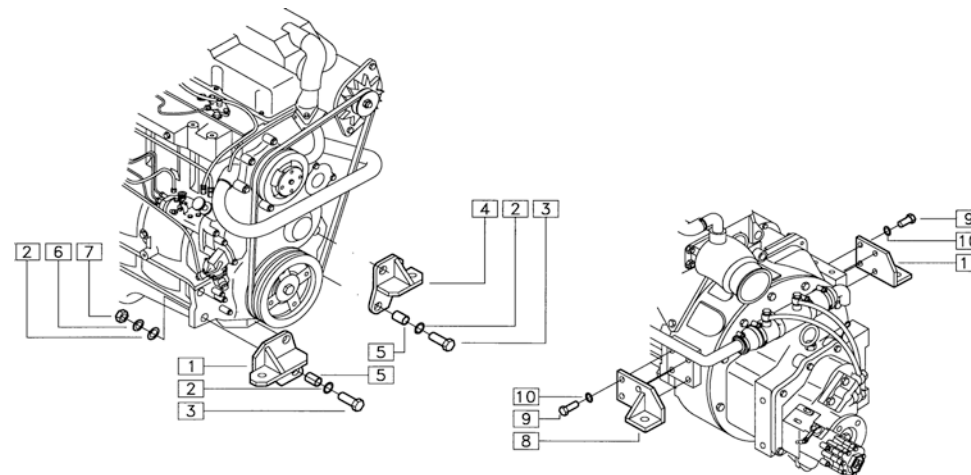
[NP] Not provided



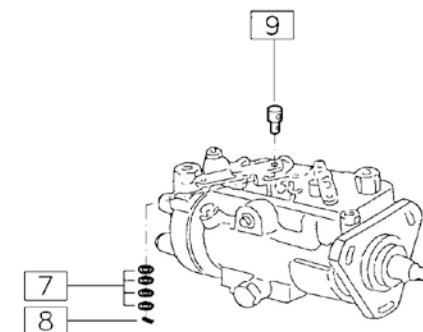
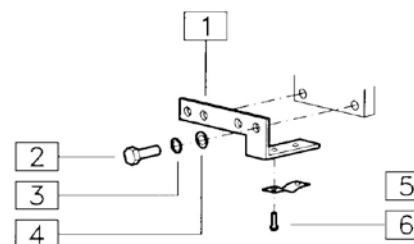
D_SF10_1_11			Oil Pan
FIG.	REF.	QTY	DESCR.
1A	14714001	1	Pump,oil Suction
1B	16514023	1	Plug 1/2" SAE
2	56000067	1	Washer 13-20-1,5
3	53033009	1	Washer GROWER DIN 127-9
4	16514021	1	ExtraCTION Hose
5	16514010	1	Bracket Clamp
6	53033010	1	Washer GROWER DIN 127-10
7	52120010	1	Nut DIN 934 M10 8.8
8	15217010	1	Bracket,wirings
9	52102307	1	Bolt DIN 933 M10-20 8.8
10	16514022	1	Coupling,screw
11	56000077	2	Washer 18-23-1,5
12	51030010	1	Washer DIN 125-10
13	53302257	1	Bolt DIN 931 12.9 UNC-3/8-16hx19
14	19020030	1	Oil,pan
15	19020033	1	Gasket
16	19020034	26	Screw
17-18	19020032	1	Plug



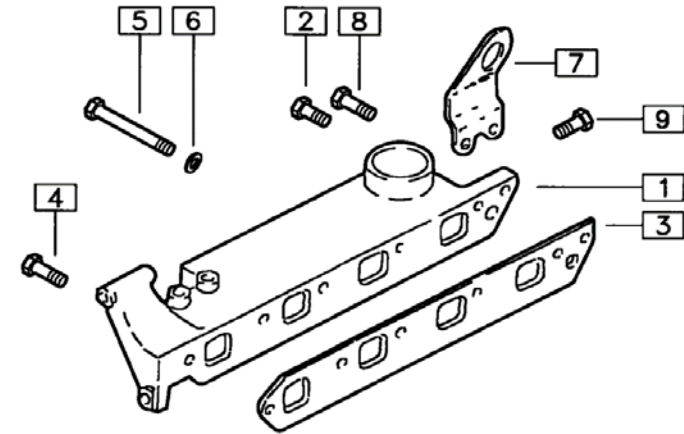
D_SF10_1_12			Engine Brackets	
FIG.	REF.	QTY	DESCR.	
1	19010002	1	LEFT,front bracket	
2	51030020	8	Washer DIN 125-20	
3	52301469	4	Bolt DIN 931 W3/4-80 8.8	
4	19010001	1	RIGHT,front bracket	
5	19010003	2	Bushing	
6	53033020	4	Washer GROWER DIN 127-20	
7	52320034	4	Nut DIN 934 W 3/4" 8.8	
8	19010004	1	RIGHT,rear bracket	
9	52102359	8	Bolt DIN 933 M12-30 8.8	
10	53033012	8	Washer GROWER DIN 127-12	
11	19010005	1	LEFT,rear bracket	



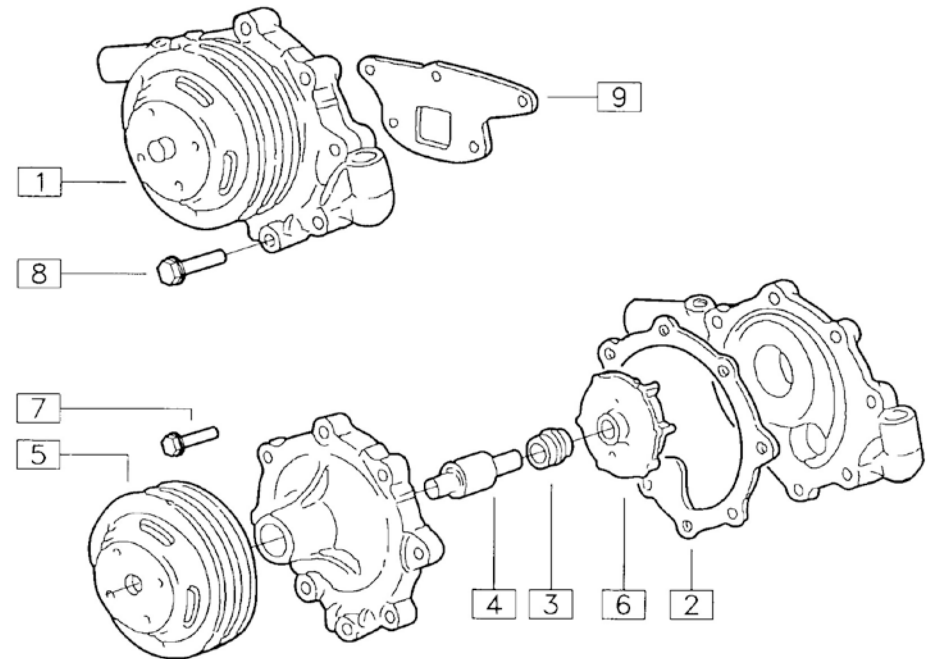
D_SF10_1_13			Bracket, Engine Control
FIG.	REF.	QTY	DESCR.
1	19019001	1	Bracket,engine control
2	52302258	2	Bolt DIN 933 W3/8-25 8.8
3	53033010	2	Washer GROWER DIN 127-10
4	51030010	2	Washer DIN 125-10
5	14719013	1	Clamp,cable
6	55307104	2	Bolt DIN 86 W3/16-10
7	51030006	4	Washer DIN 125-6
8	51051107	1	Pin DIN-94 1,6-16
9	14719115	1	Coupling,cable



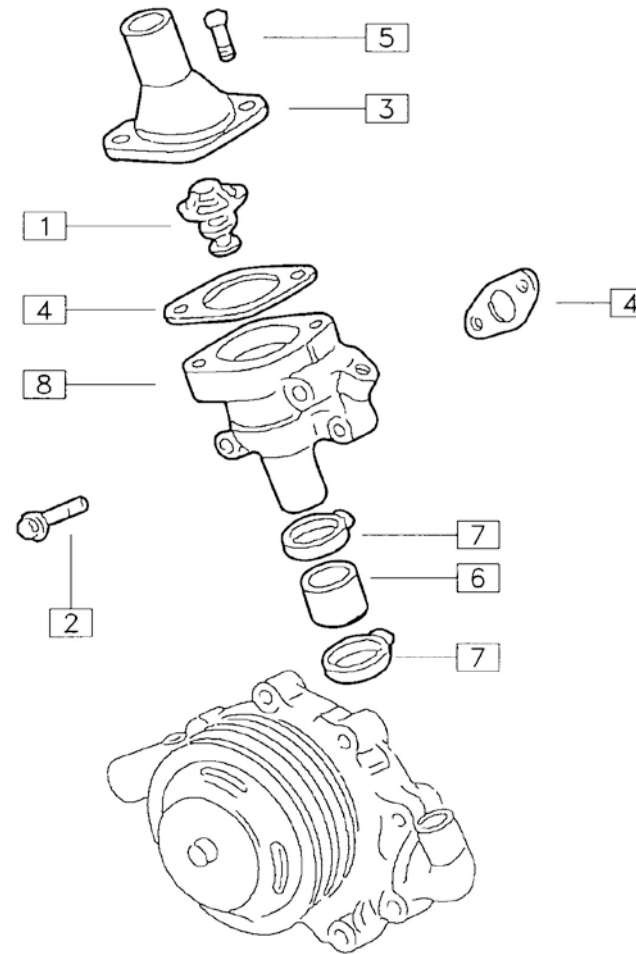
D_SF13_2_1			Inlet
FIG.	REF.	QTY	DESCR.
1	19021030	1	MANIFOld Intake
2	19020042	1	Plug
3	19121032	3	Gasket
4	19020059	3	Screw
5	19021037	1	Screw
6	19021038	2	O-Ring D. 10X1,8
7	19021039	1	HOOK
8	19021040	2	Screw
9	19024089	1	Plug



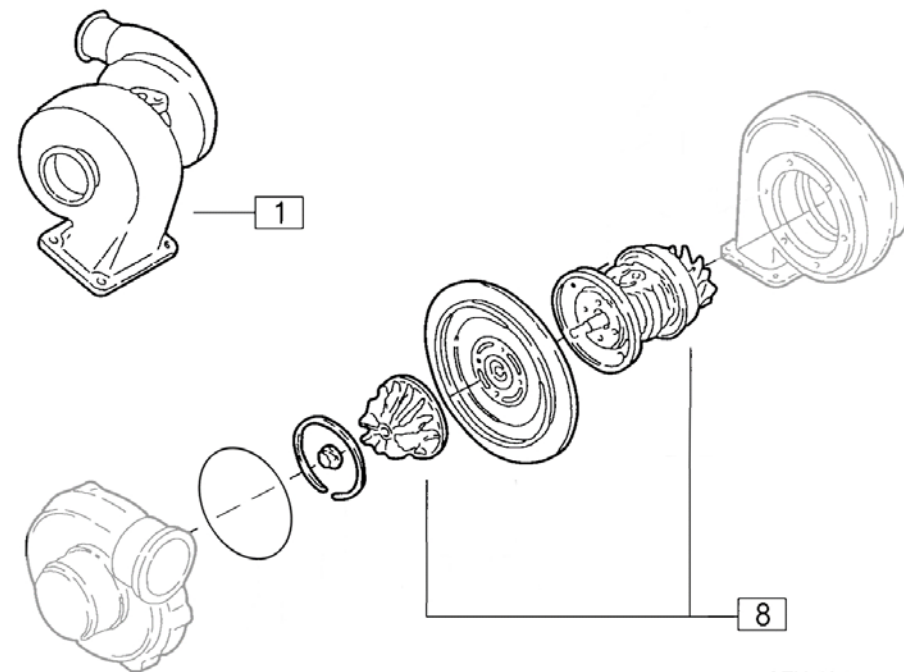
D_SF10_3_1A			Water Pump
FIG.	REF.	QTY	DESCR.
1	19021020	1	Water pump(Assy)
2	19021041	1	Gasket Water Pump
3	19021048	1	Ring
4	19021014	1	Water Pump Bearing D. 19X38X25
5	19021021	1	Pulley
6	19021056	1	Impeller
7	19021057	4	Screw
8	19021058	4	Screw
9	19021022	1	Gasket



D_SF10_3_1B			Thermostat
FIG.	REF.	QTY	DESCR.
1	19021027	1	Thermostat
2	19021058	2	Screw
3	19021047	1	Cover
4	19021049	2	Gasket,Thermostat
5	19021050	2	Screw
6	19021051	1	SLEEVE
7	54082050	2	Clamp DIN 3017 50-70/12 W4
8	19021053	1	Housing



D_SF13_2_3			Turbocharger
FIG.	REF.	QTY	DESCR.
1	19328002	1	TURBOCHARGER
8	19328019	1	Impeller
NS	19328102	1	REPAir Kit, TURBO [NS]



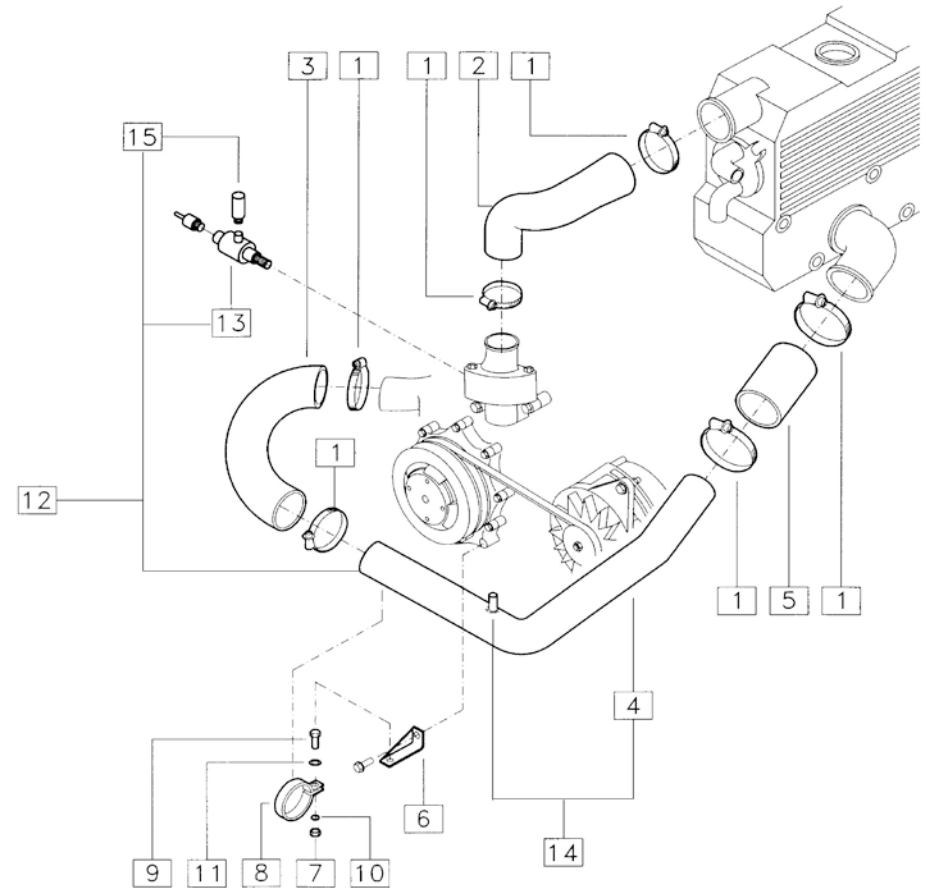
SFN.19.2

[NS] Not shown

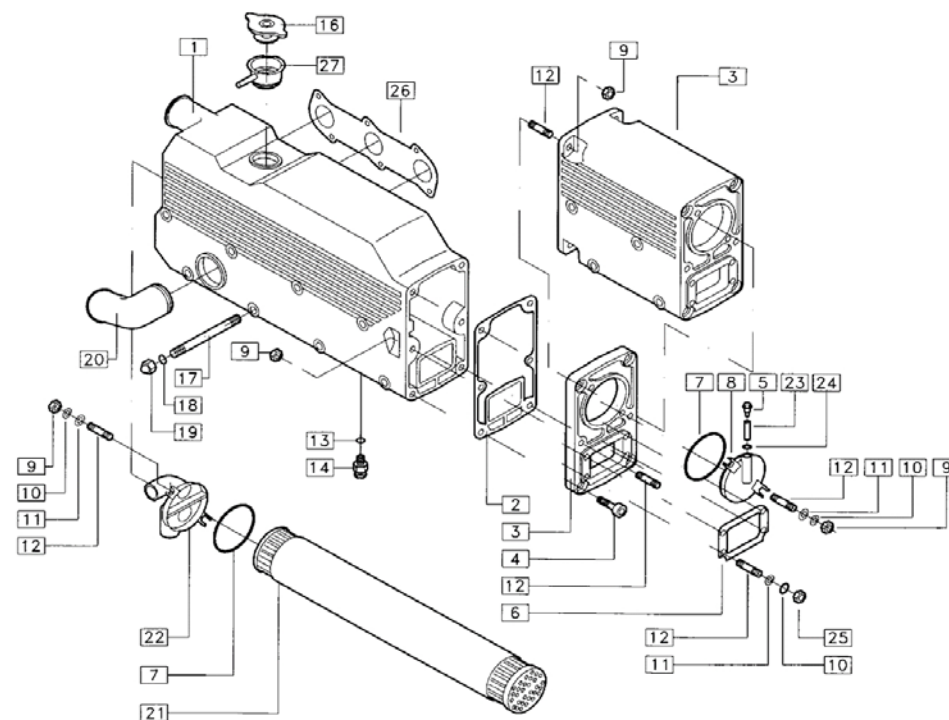




D_SF10_3_2		Outgoing Water Circuit	
FIG.	REF.	QTY	DESCR.
1	54082032	6	Clamp DIN 3017 32-50/12 W4
2	19011021	1	DISCHARGE BEND
3	19011014	1	Hose
4	19011016	1	Pipe,cooler to engine
5	40030055	1	Rubber Pipe
6	19011018	1	Bracket
7	52120008	1	Nut DIN 934 M8 8.8
8	19011017	1	Bracket Clamp
9	52102258	1	Bolt DIN 933 M8-25 8.8
10	53033008	1	Washer GROWER DIN 127-8
11	51030008	1	Washer DIN 125-8
12	13511050	1	NIPPLE,heater
12-15	19011150	1	Kit Heater SFN-100/130
13	19011022	1	Pipe
14	54082032	1	Clamp DIN 3017 32-50/12 W4
15	53033008	1	Washer GROWER DIN 127-8



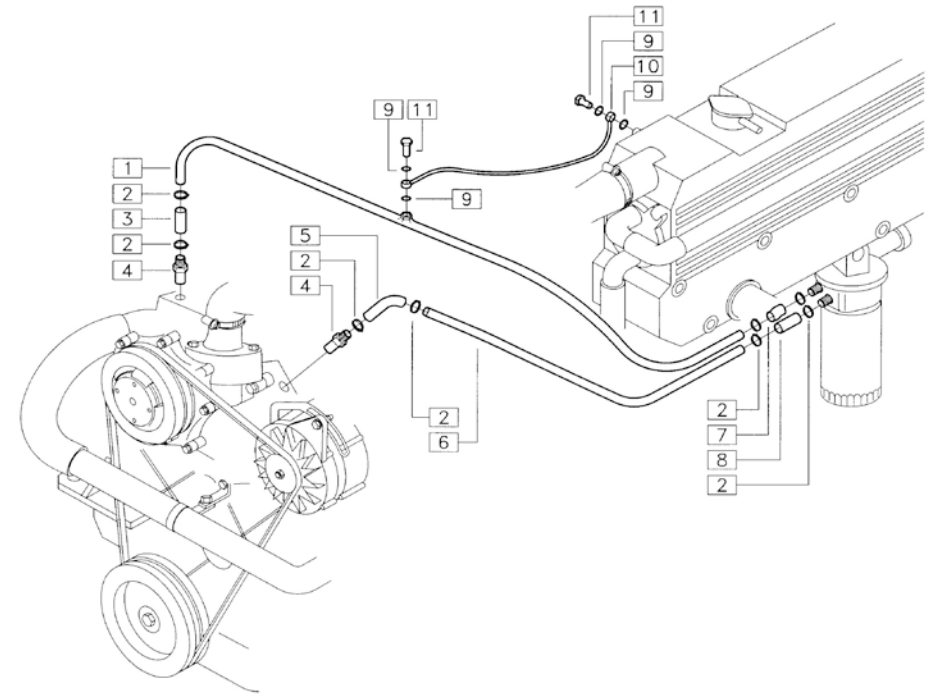
D_SF13_3_3			Water Cooler
FIG.	REF.	QTY	DESCR.
1	19011001C	1	Body,water cooler and cap
2	19011003	1	Gasket
3	19011002	1	Cover,cooler
4	53104307	4	Bolt DIN 7984 M10-20 12.9
5	18011009	1	Plug
6	19128007	1	Gasket
7	18011008	2	O-Ring D. 72X3
8	18011002	1	Cover Front,water cooler
9	19111012	2	Nut
10	53033010	8	Washer GROWER DIN 127-10
11	51030010	8	Washer DIN 125-10
12	16511007	10	Stud
13	56000061	1	Washer 10-16-1,5
14	52102306	1	Bolt DIN 933 M10-15 8.8
16	14711003	1	Cap
17	19011015	8	Stud
18	56000061	8	Washer 10-16-1,5
19	13511013	8	Nut DIN 1587 M10
20	19111015	1	BEND 1 1/2"
21	19011004	1	Element,water cooler
22	18011003	1	Cover REAR,water cooler
23	18011031	1	Anode
24	56000073	1	Washer 16-23-1,5
25	55120110	4	Nut DIN 934 M10
26	19021035	1	Gasket Exhaust Manifold
27	15111002R	1	Cap,mouth
NS	19011000	1	Cooler,complete water SFN-100 [NS]



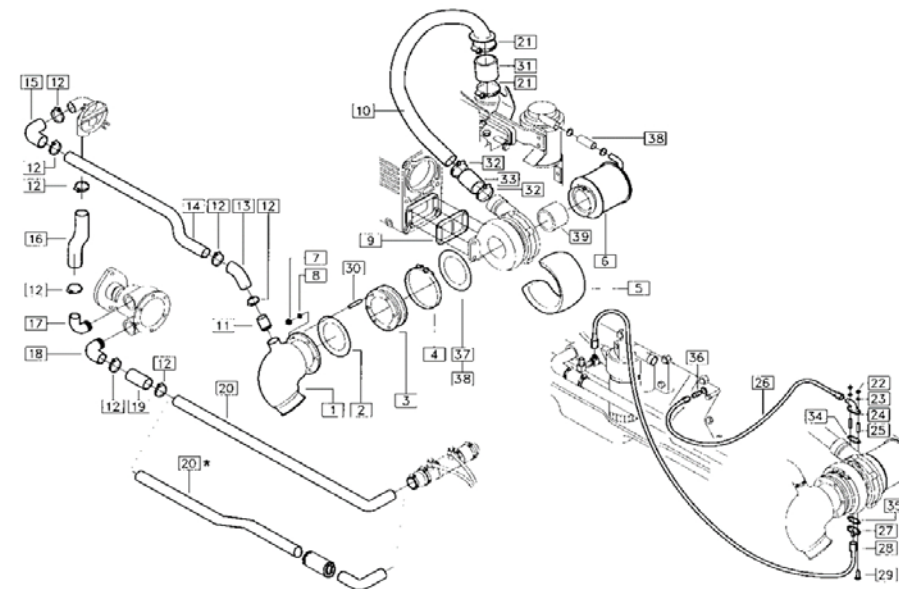
[NS] Not shown



D_SF10_3_4			Water Lines	
FIG.	REF.	QTY	DESCR.	
1	19012014	1	Pipe,oil cooler	
2	54082025	8	Clamp DIN 3017 25-40/12 W4	
3	19012015	1	Pipe 15-25-65	
4	19021088	2	Connection	
5	19021089	1	Elbow	
6	19012012	1	Pipe,oil cooler	
7	19012017	1	Pipe 15-25-40	
8	19021090	1	SLEEVE	
9	56000061	4	Washer 10-16-1,5	
10	19011035	1	Pipe	
11	16713009	2	Bolt,eye	



D_SF13_3_5			Cooler Pipes
FIG.	REF.	QTY	DESCR.
1	16513015	1	Elbow, wet exhaust
2	19113016	1	Gasket
3	19313014	1	Cover
4	19321091	1	Clamp [NP]
5	19118010	1	TERMIC,bucklers
6	19110030	1	Air,filter
7	54120008	4	Nut DIN 934 M8
8	53033008	4	Washer GROWER DIN 127-8
9	19128007	1	Gasket
10	19110009	1	Inlet Pipe
11	60180007	1	Outlet Coupling
12	54082025	8	Clamp DIN 3017 25-40/12 W4
13	19113011	1	Elbow
14	19111013	1	Pipe,cooler water
15	13211057	1	Rubber
16	18011020	1	Pipe
17	14711021	1	Hose N° 1
18	14711028	1	Hose N° 4
19	16511021	1	Pipe 30-40-95
21	54082060	2	Clamp DIN 3017 60-80/12 W4
22	52520516	2	Nut DIN 934 SAE 5/16 8.8
23	53033008	2	Washer GROWER DIN 127-8
24	19114010	1	Flange
25	19114009	2	Stud
26	19114012	1	Pipe
27	19114014	1	Flange
28	19114016	1	Pipe
29	19121094	2	Screw
30	13311006	4	Stud,cover
31	19121095	1	SLEEVE
32	54082040	2	Clamp DIN 3017 40-60/12 W4
33	19121097	1	SLEEVE
37	19313017	1	Gasket
38	19110032	1	Pipe 20-28-140
39	19310012	1	Pipe

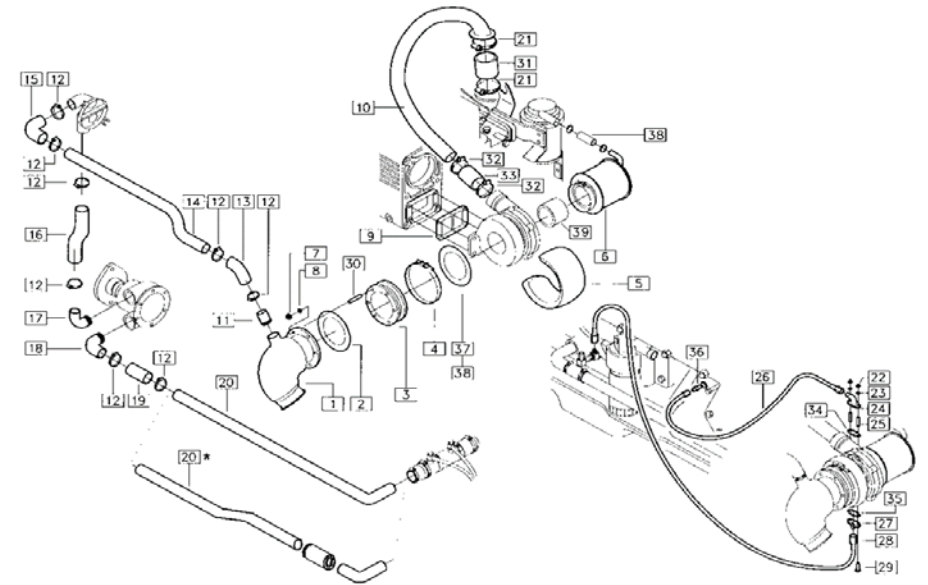


[NP] Not provided

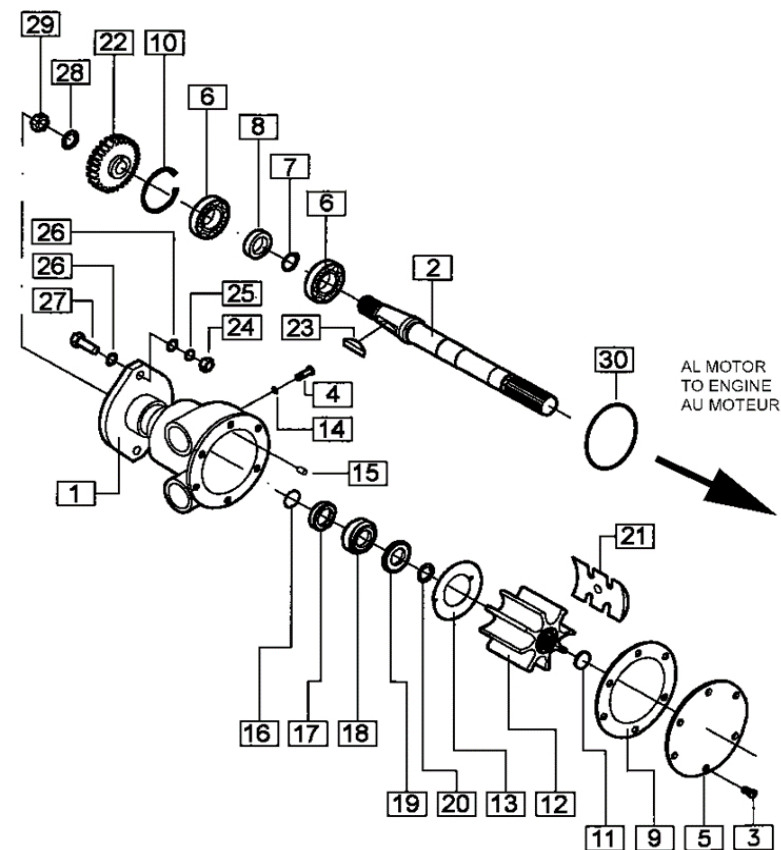
[NS] Not shown



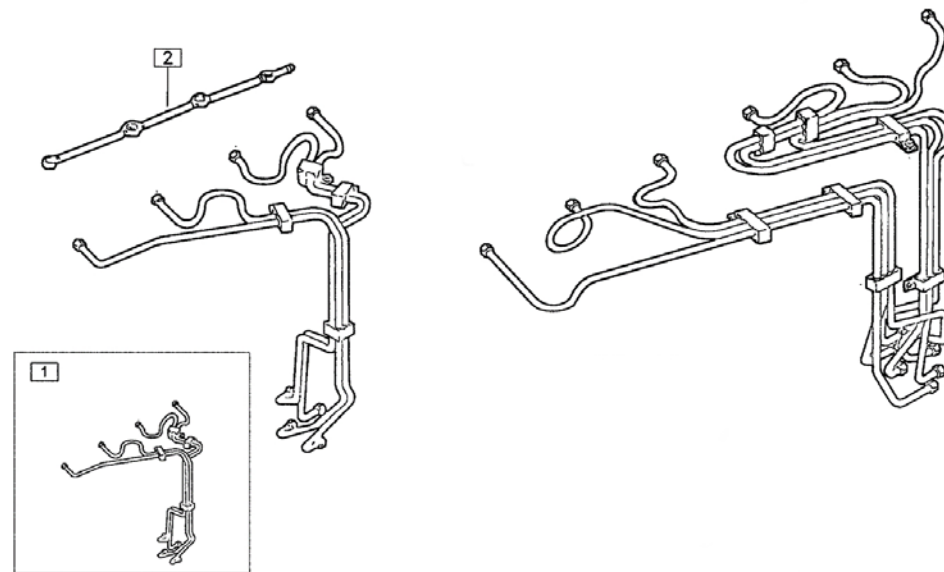
D_SF13_3_5			Cooler Pipes
FIG.	REF.	QTY	DESCR.
NS	19110031	1	Element,air filter [NS]



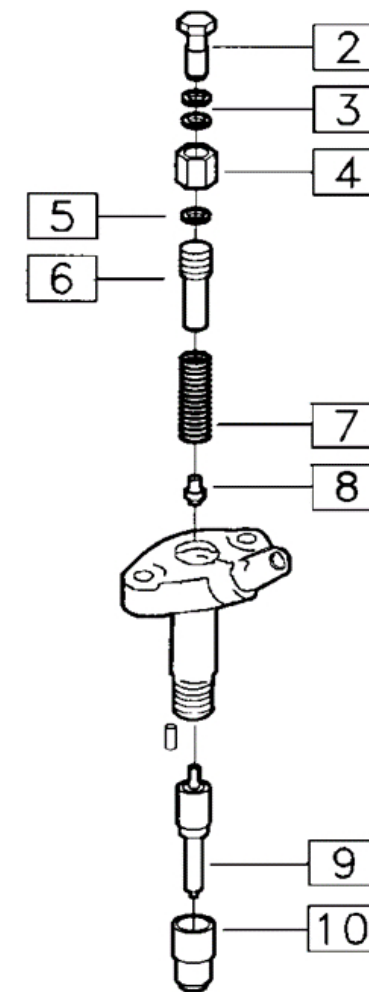
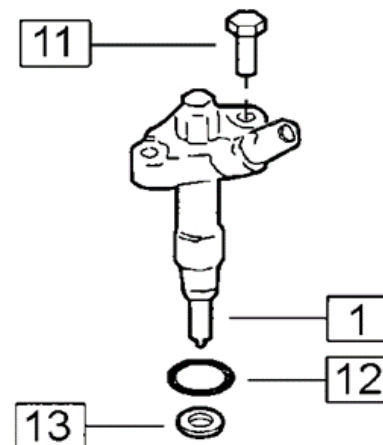
D_39011000		Water Pump Set	
FIG.	REF.	QTY	DESCR.
1	39011001	1	Body,water pump
2	36711010	1	Shaft,pump
3	54102154	6	Bolt DIN 933 M6-10
4	54108154	1	Bolt DIN 84 M6-10
5	34711002	1	Cover Pump
6	33311014	2	Ball Bearing 6203
7	53040017	1	CIRClip DIN 471 E-17
8	36511015	1	Spacer 17X24X7
9	34711003	1	Gasket Cover
1-21	39011000	1	Water Pump Set
10	53041040	1	CIRClip DIN 472 I-40
11	34711041	1	Plug, impeller
12	34711008	1	1" Impeller
13	34711026	1	Plate,Friction
14	56000053	1	Washer 6-10-1,5
15	34711017	1	Pin
16	33311013	1	O-Ring D. 15X2
17	36511020	1	Seal 16-30-7
18	36511019	1	Seal
19	36511018	1	Washer,seal
20	54040016	1	CIRClip E-16
21	34711005	1	Cam
22	19010022	1	Gear,drive
23	13122036	1	KEY
24	52120010	2	Nut DIN 934 M10 8.8
25	53033010	2	Washer GROWER DIN 127-10
26	51030010	4	Washer DIN 125-10
27	52101317	2	Bolt DIN 931 M10-70 8.8
28	53033014	1	Washer GROWER DIN 127-14
29	51221014	1	Nut DIN 936 M14X1,5 5.6 ZINC
30	19010006	1	O-Ring D. 83X3,5



D_SF13_4_1			Fuel Pipe
FIG.	REF.	QTY	DESCR.
1	19324027	1	Pipe Kit
2	19024026	1	Assy, Fuel Return



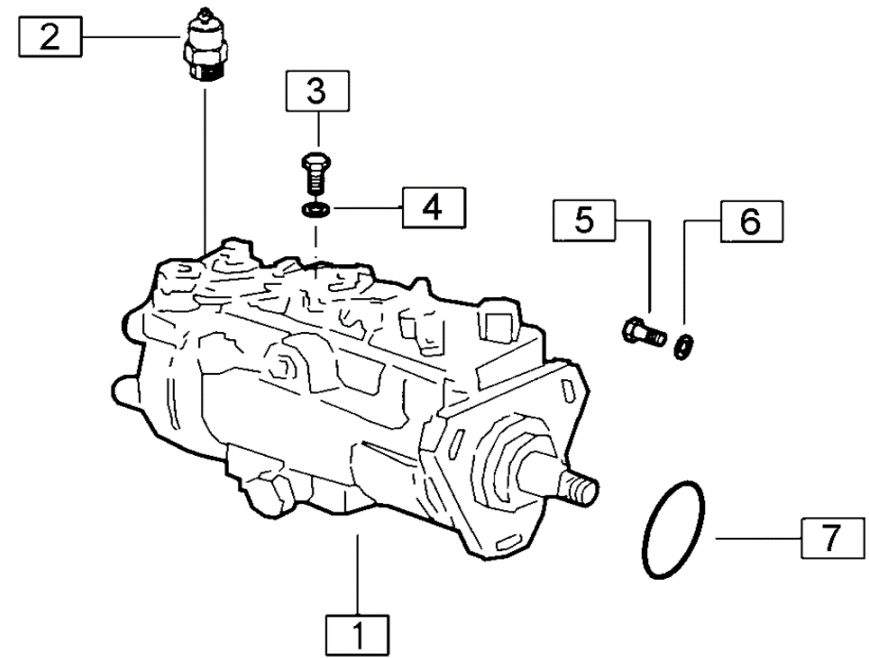
D_SF13_4_2			Injection Nozzle
FIG.	REF.	QTY	DESCR.
1	19126001	4	Injector,Assy
2	19026005	4	Screw, Racord
3	56000006	8	Washer 8-12-1
4	19026007	4	Nut
5	19026008	4	Washer
6	19026009	4	Screw
7	19026004	4	Spring
8	19026003	4	Seat
9	19126018	4	Nozzle
10	19026019	4	Nozzle,holder [NP]
11	19026011	8	Screw
12	19026012	4	Seal
13	19026013	4	Gasket



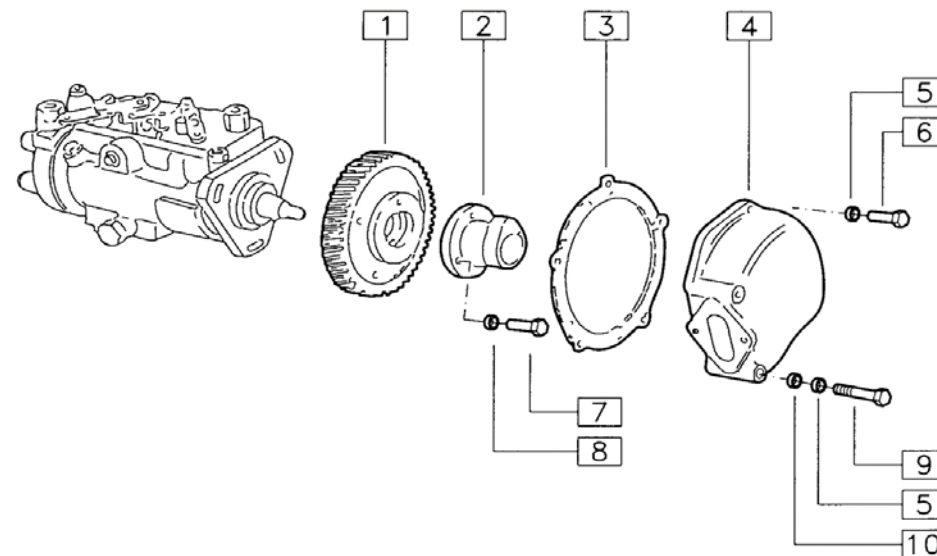
[NP] Not provided



D_SF13_4_3		Fuel Injection Pump	
FIG.	REF.	QTY	DESCR.
1	19325001	1	INJECTION Pump
2A	19025300	1	SOLENOID 12V
2B	19025310	1	SOLENOID 24V
3	19025015	1	Plug
4	19024010	1	Gasket
5	19025017	3	Screw
6	19025018	3	LOCKWasher
7	19025020	1	O-Ring D. 60X3,5



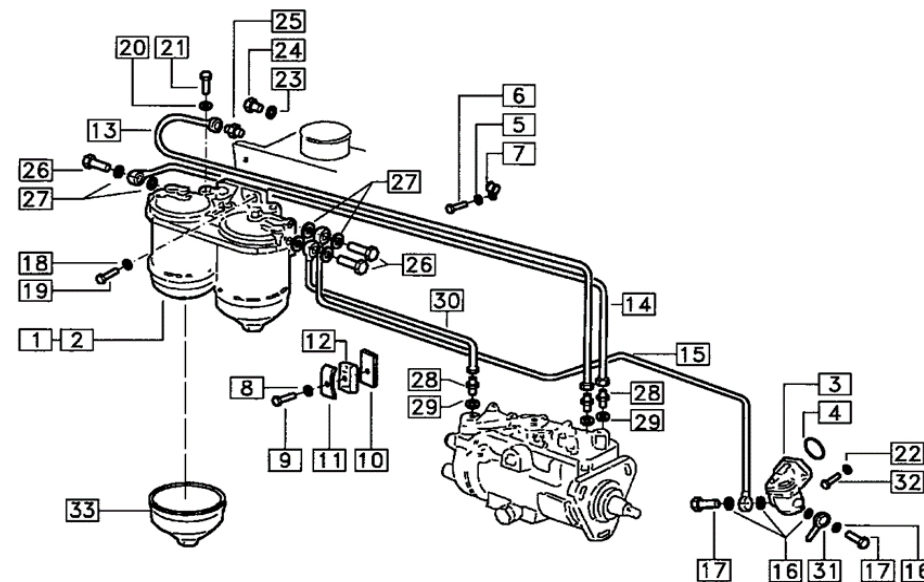
D_SF13_4_4				Injection Pump Drive			
FIG.	REF.	QTY	DESCR.				
1	19024045	1	Gear				
2	19024046	1	SLEEVE				
3	19024047	1	Gasket				
4	19024048	1	Cover				
5	19020152	7	LOCKWasher				
6	19024066	3	Screw				
7	19024059	3	Screw				
8	19024067	3	LOCKWasher				
9	19024062	2	Screw				
10	19024064	2	Spacer				
2*	19024046.1	0	Cam [VAR]				
4*	19024048.1	0	Cover [VAR]				



[VAR] Variable according to repair



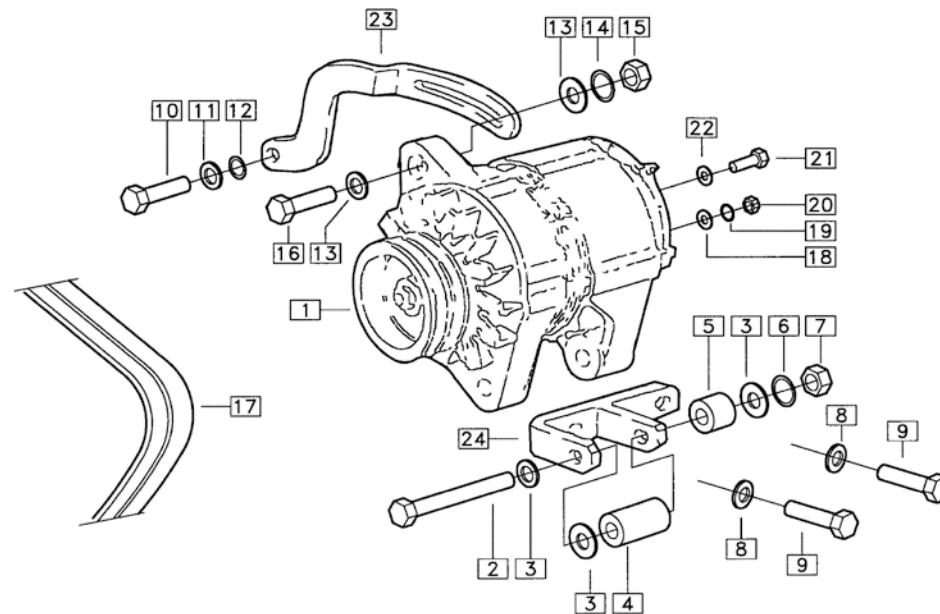
D_SF13_4_5		Fuel Lines	
FIG.	REF.	QTY	DESCR.
1	19024020	1	Fuel,filter(Assy)
2	12814028	2	Fuel Filter DELPHI HDF296
3	19024001	1	Fuel,pump
4	19024002	1	Seal
5	19024003	1	LOCKWasher
6	19024004	1	Screw
7	19024005	1	Clamp [NP]
8	19024006	1	LOCKWasher
9	19024007	1	Screw
10	19024008	1	Clamp
11	19024009	1	Clamp
12	19024011	1	Washer
13	19024021.1	1	Pipe
14	19024013	1	Pipe
15	19024099	1	Pipe
16	19024098	4	Gasket
17	19024096	2	Union
18	51031008	2	Washer DIN 9021 8
19	19024084	2	Screw [NP]
20	19024010	1	Gasket
21	19024086	1	Plug
22	19020152	2	LOCKWasher
23	19024088	1	Gasket
24	19024089	1	Plug
25	19024090	1	Connection
26	19024012	3	Screw, Racord
27	59031014	6	Washer
28	19024017	2	Connection
29	19024018	2	Gasket
30	19024021	1	Pipe
31	19024024	1	Pipe
32	19020158	2	Screw
33	60300103I	2	Body Glass



[NP] Not provided



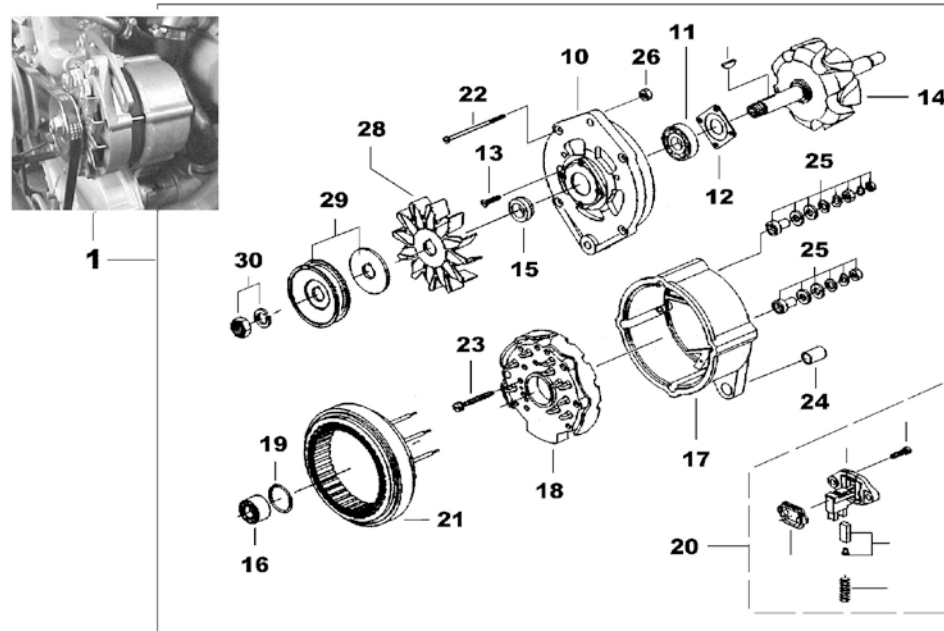
D_SF10_5_1		Kit Alternator	
FIG.	REF.	QTY	DESCR.
1A	18017010.1	1	Alternator 14/70A
1B	19027210	1	Alternator 28V/35A
2	52101376	1	Bolt DIN 931 M12-130 8.8
3	51030012	3	Washer DIN 125-12
4	19027006	1	Spacer [NP]
5	18617011	1	Spacer 12,5X24X18
6	53033012	1	Washer GROWER DIN 127-12
7	52120012	1	Nut DIN 934 M12 8.8
8	19024003	2	LOCKWasher
9	19027008	2	Screw
10	52303207	1	Bolt DIN 912 W5/16-20 8.8
11	51030012	1	Washer DIN 125-12
12	53033011	1	Washer GROWER DIN 127-11
13	51030010	2	Washer DIN 125-10
14	53033010	1	Washer GROWER DIN 127-10
15	52120010	1	Nut DIN 934 M10 8.8
16	52101311	1	Bolt DIN 931 M10-40 8.8
17	19017025	1	Belt Type SPAX 1415
18	51030006	1	Washer DIN 125-6
19	53033006	1	Washer GROWER DIN 127-6
20	52120006	1	Nut DIN 934 M6 8.8
21	54102104	1	Bolt DIN 933 M5-10 INOX.
22	51030005	1	Washer DIN 125-5
23	19027007	1	Belt,stretcher
24	19027005	1	Support



[NP] Not provided

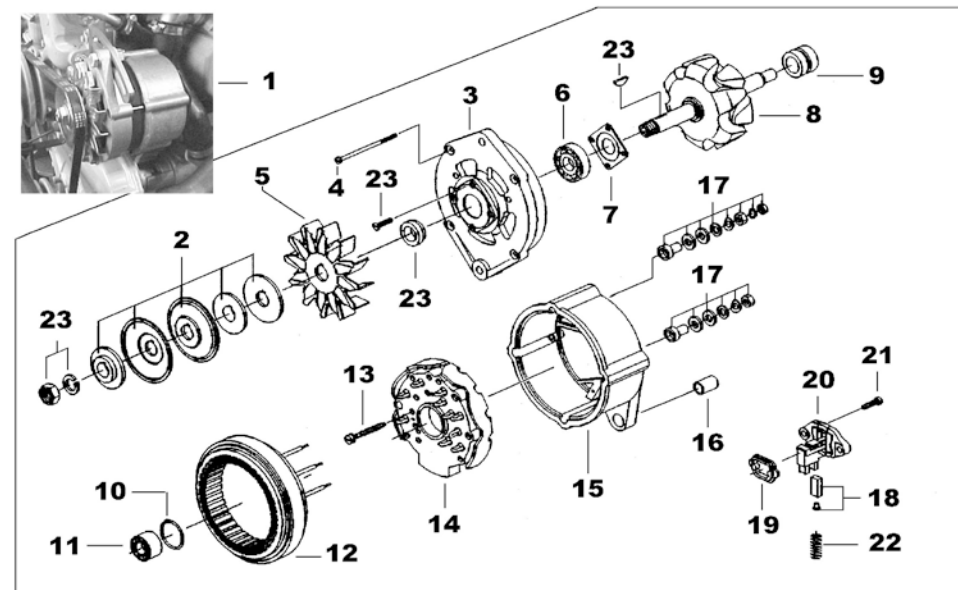


D_SF10_5_2A		Alternator 12V/70A	
FIG.	REF.	QTY	DESCR.
1*	19017010.1	1	Alternator 14V/70A
10	18017054	1	Bracket Assy
11	18017083	1	Ball Bearing 6303-RDD
12	18017068	3	Plate Seal
13	18017055	1	Screw
14	18017057	2	Rotor Assy
15	18017067	3	Ring
16	18017056	4	Ball Bearing 6201-DUB
17	18017060	1	Bracket Assy REAR
18	18017066	1	RECTIFIER Assy
19	18017084	1	Ring
20	18017016	1	REGULATOR Assy
21	18017059	1	STATOR Assy
22	18017053	4	ROD,TIE
23	18017082	2	Screw
24	18017085	1	Bushing
25	18017089	1	Connector B.
26	18017087	4	Nut
27	18017088	1	Washer
28	18017061	1	FAN
29	18017052	1	Pulley Assy
30	18017051	1	Kit Rotor

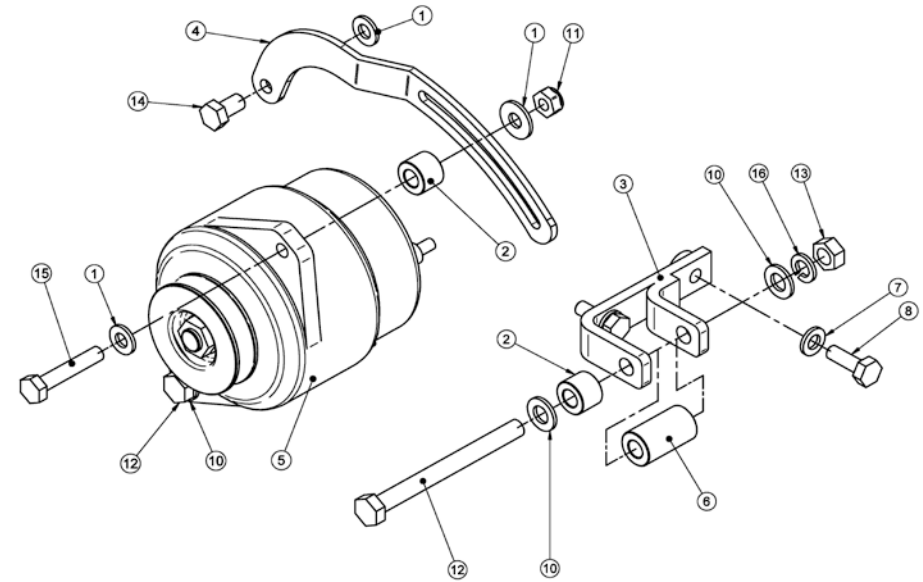


D_SF10_5_2B **Alternator 24V/35A**

FIG.	REF.	QTY	DESCR.
1	19027210	1	Alternator 28V/35A
2	18017052	1	Pulley Assy
3	19017054	1	Bracket Assy 28V.
4	19027267	4	Bolt
5	18017061	1	FAN
6	19027256	1	Bearing
7	19027258	1	Cover Plate
8	19027257	1	Rotor Assy
9	19027259	1	RUB Ring
10	18017084	1	Ring
11	19027261	1	Bearing
12	19017059	1	STATOR Assy 28V.
13	19027255	1	Bolt
14	19027266	1	RECTIFIER Assy
15	19017060	1	Bracket Assy REAR 28V.
16	18017085	1	Bushing
17	18017089	1	Connector B.
18	19017065	1	Brush 28V.
19	19027264	1	Gasket
20	19017058	1	REGULATOR Assy 28V.
21	18017082	2	Screw
22	19027263	2	Spring
23	18017051	1	Kit Rotor



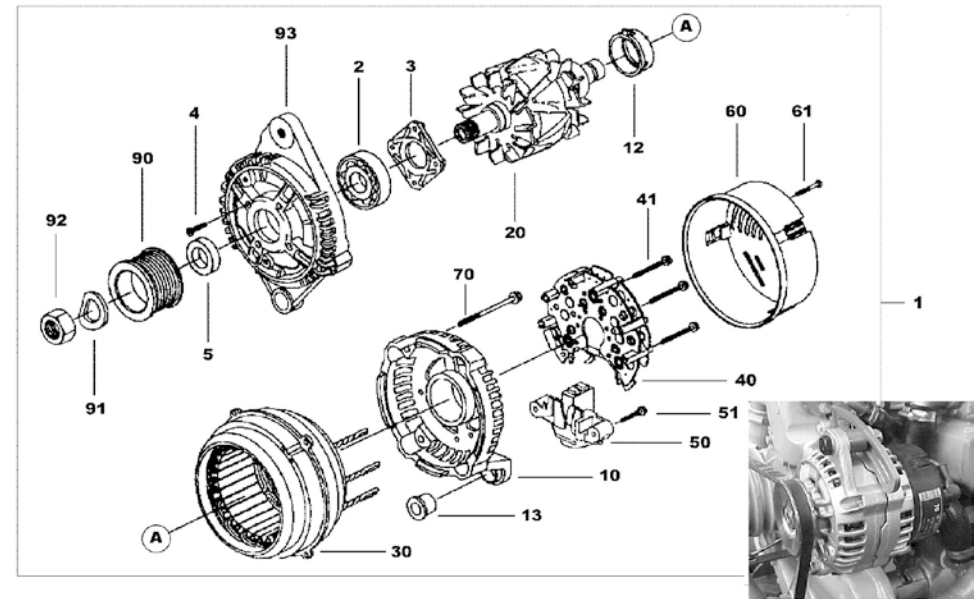
D_SF10_5_3			Kit Alternator												
FIG.	REF.	QTY	DESCR.												
1	51030010	3	Washer DIN 125-10												
2	18617011	2	Spacer 12,5X24X18												
3	19017006	1	Support												
4	19017007	1	STrap,alternator												
5	19017010.1	1	Alternator 14V/70A												
6	19027006	1	Spacer [NP]												
7	19024003	2	LOCKWasher												
8	19027008	2	Screw												
10	51030012	2	Washer DIN 125-12												
11	51123010	1	Nut DIN 985 M10 5.6												
12	52101376	1	Bolt DIN 931 M12-130 8.8												
13	52120012	1	Nut DIN 934 M12 8.8	14	52302307	1	Bolt DIN 933 W7/16-20 8.8	15	52101314	1	Bolt DIN 931 M10-55 8.8	16	53033012	1	Washer GROWER DIN 127-12
14	52302307	1	Bolt DIN 933 W7/16-20 8.8	15	52101314	1	Bolt DIN 931 M10-55 8.8	16	53033012	1	Washer GROWER DIN 127-12				
15	52101314	1	Bolt DIN 931 M10-55 8.8	16	53033012	1	Washer GROWER DIN 127-12								
16	53033012	1	Washer GROWER DIN 127-12												



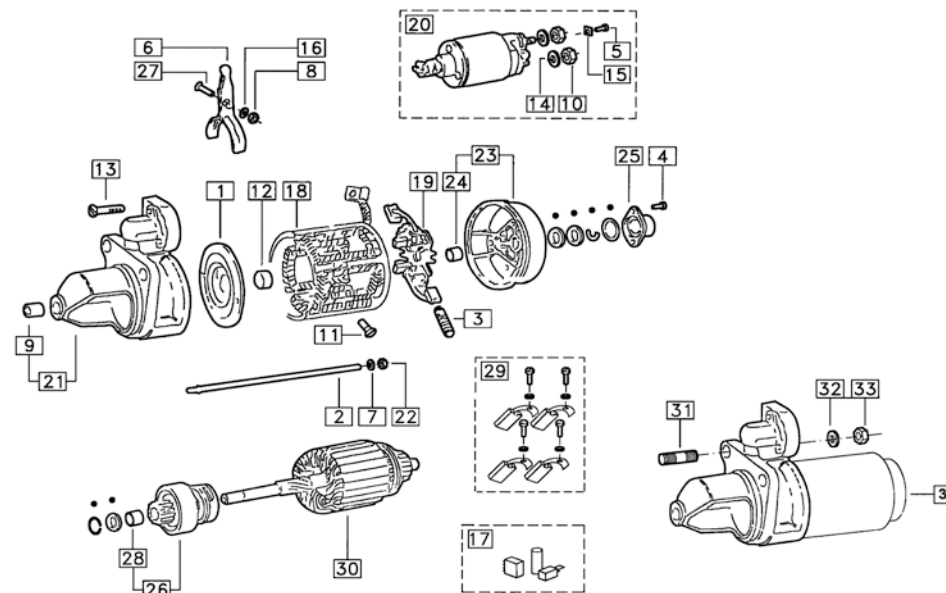
[NP] Not provided



D_SF10_5_4			Alternator 14V/70A	
FIG.	REF.	QTY	DESCR.	
1	19017010.1	1	Alternator 14V/70A	
2	18017056.1	1	Bearing	
3	18017068	1	Plate Seal	
4	18017055	4	Screw	
5	18017067	1	Ring	
10	18017058.1	1	Plate	
12	18017084.1	1	Ring	
13	18017069.1	1	Bearing	
20	18017057.1	1	Rotor	
30	18017059.1	1	STATOR	
40	18017010.1	1	Alternator 14/70A	
41	18017082.1	3	Screw	
50	18017016.1	1	Brush	
51	18017055.1	2	Screw	
61	18017062.1	3	Screw	
70	18017053.1	4	Screw	
90	18017052.1	1	Pulley	
91	18017088	1	Washer	
92	18017087.1	1	Nut	
93	18017054.1	1	Bracket Assy	



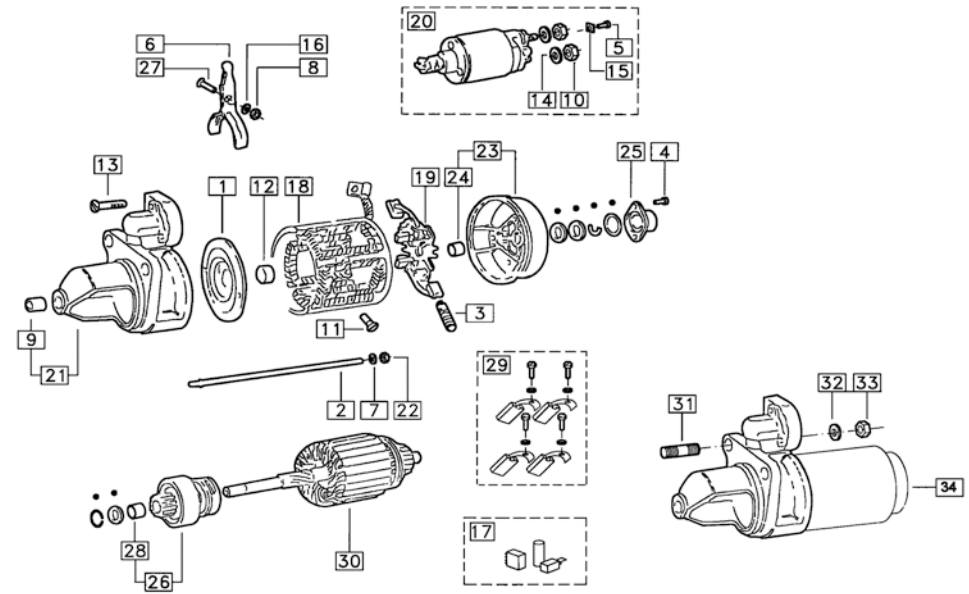
D_SF10_5_5			Starter
FIG.	REF.	QTY	DESCR.
1	19027131	1	Support
2	19027107	2	ROD
3	19027121	4	Spring
4A	19027132	2	Screw 12V
4B	19027232	2	Screw 24V
5	19027133	1	Screw
6	19027103	1	Lever
7	19027129	2	Washer 12V ANTIGUA
8A	19027128	1	Nut 12V
8B	19027228	1	Nut 24V [NP]
9	19027127	1	Bush
10A	19027126	2	Nut 12V
10B	19027226	2	Nut 24V [NP]
11	19027124	4	Screw
12A	19027134	1	Bush 12V
12B	19027234	1	Bush 24V
13	19027135	3	Screw
14A	19027136	2	LOCKWasher 12V
14B	19027236	2	LOCKWasher 24V
15	19027137	1	Plate
16A	19027138	1	LOCKWasher 12V
16B	19027238	1	LOCKWasher 24V
17	19027125	1	Kit
18A	19027119	1	WINDING 12V
18B	19027219	1	WINDING 24V
19A	19027120	1	Brush,holder
19B	19027220	1	Brush,holder 24V
20A	19027106	1	SOLENOID 12V
20B	19027206	1	SOLENOID 24V
21A	19027102	1	Support 12V
21B	19027202	1	Support 24V
22	52120006	2	Nut DIN 934 M6 8.8
23	19027122	1	Cover
24	19027111	1	Bush
25	19027139	1	BOOT



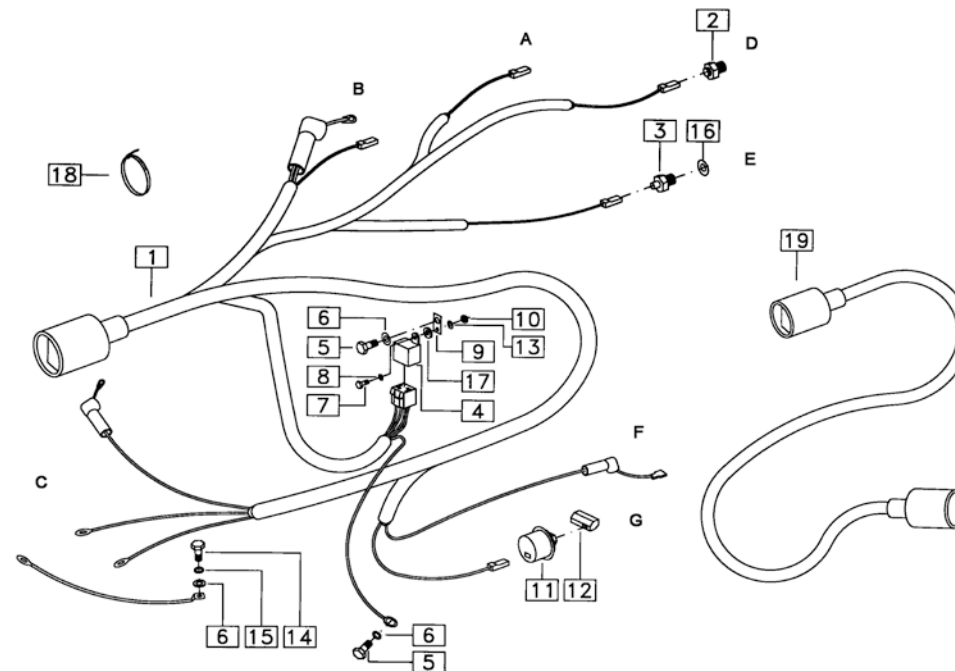
[NP] Not provided



D_SF10_5_5			Starter
FIG.	REF.	QTY	DESCR.
26	19027113	1	Drive,unit
27	19027140	1	Screw
28	19027109	2	Bush
29A	19027101	1	Kit 12V
29B	19027201	1	Kit 24V
30A	19027108	1	ARMATURE 12V
30B	19027208	1	ARMATURE 24V
31	19027071	3	Stud
32	19024003	3	LOCKWasher
33	19027073	3	Nut
34	19027301.1	1	Starter Assy 24V



D_SF10_5_6		24V Electrical Wiring		
FIG.	REF.	QTY	DESCR.	
1A	60990200.1	1	SFN-100 Electrical Wiring	
1B	60990200.1	1	SFN-100 Electrical Wiring	
2A	60900980	1	Temperature Sensor	
2B	60900780	1	Temperature SENDER 12 V	
3	60900070	1	Thermo-Switch 97°C	
4A	18517005.1	1	Relay 12-6V	
4B	19017005	1	Relay 24V 24/22A	
5	52302307	2	Bolt DIN 933 W7/16-20 8.8	
6	51030012	3	Washer DIN 125-12	
7	52102106	1	Bolt DIN 933 M5-15 8.8	
8	51030005	1	Washer DIN 125-5	
9	19017002	1	Relay,bracket	
10	52120005	1	Nut DIN 934 M5 8.8	
11A	60900985	1	Pressure Sensor	
11B	60900785	1	Oil Presure Sender 12-24 V	
12	19017016	1	Bell Housing	
13	53033005	1	Washer GROWER DIN 127-5	
14	52302258	1	Bolt DIN 933 W3/8-25 8.8	
15	53033010	1	Washer GROWER DIN 127-10	
16	56000073	1	Washer 16-23-1,5	
17	13217007	1	REGULATOR SILENTBlock	
18	58088283	1	Clamp	
19	60985210	1	Engine Wiring Ext. 4 M.	
20	19027027	1	SENDING,unit 0,7	

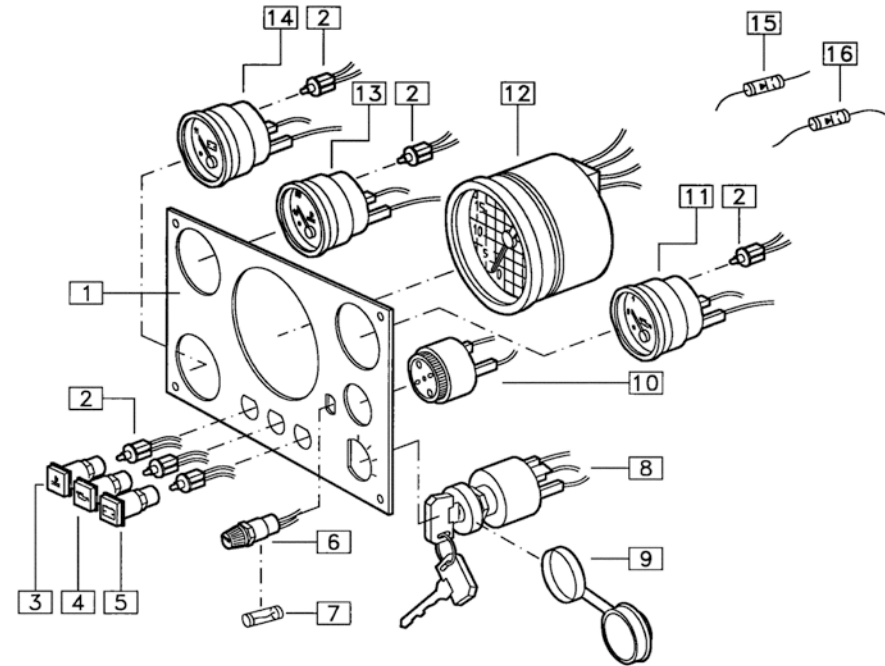


2* Y 11* PARA UNIDADES FABRICADAS A PARTIR DE DICIEMBRE DE 2005 CON PANEL NUEVO

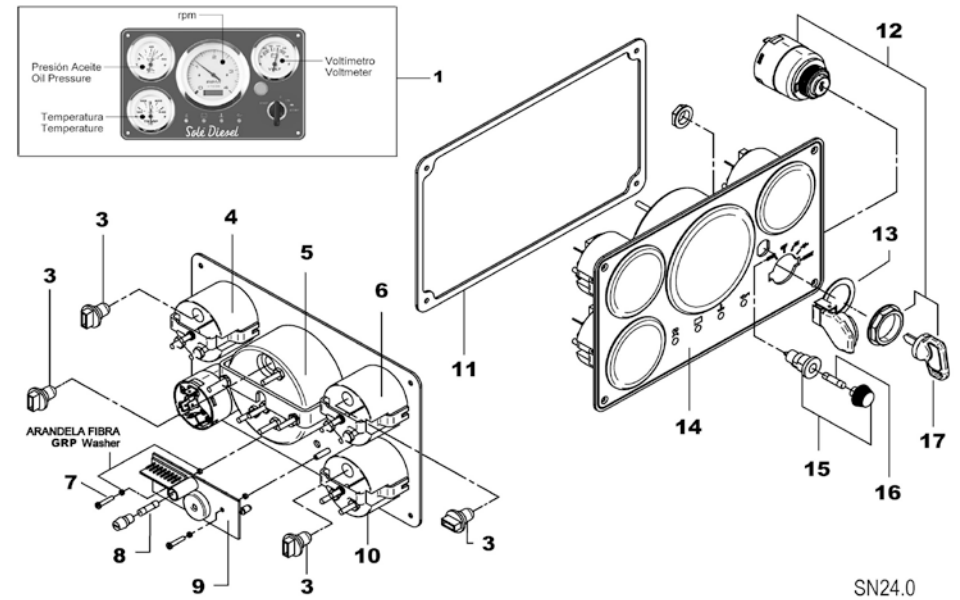
2* & 11* FOR UNITS MANUFACTURED FROM DECEMBER 2005 WITH NEW PANEL

2* & 11* POUR MOTEURS FABRIQUÉES AVEC TABLEAU DE BORD NEUF À PARTIR DE DECEMBRE DE 2005

D_SF10_5_7			Instrument Panel	
FIG.	REF.	QTY	DESCR.	
1	60990001	1	Panel	
1-16	60990100	1	Panel 24V SFN-100/160/210	
1-16	60990000	1	Panel SFN-100/160/210	
2A	60900045A	3	Bulb 12V 3W	
2B	60900046A	3	Bulb 24V	
3	60900052A	1	LAMP, water temp.	
4	60900050A	1	LAMP, oil press.	
5	60900051A	1	LAMP, charge	
6	60900121	1	FuseHolder, panel	
7	60900118	1	Fuse 10 A.	
8	60900031	1	Key-Locking Switch	
9	60900035	1	Cover,key	
10	60900060	1	Alarm, SWITCH	
11A	60900820	1	Oil PRESURE Gauge 12 V	
11B	60900821	1	Oil PRESURE Gauge 24 V	
12A	60990710	1	TACHOMETER SFN-100,160 and 210	
12B	60900812M	1	TACHOMETER 24 V	
13A	60900815	1	Water Gauge 12 V	
13B	60900816	1	Water Gauge 24 V	
14A	60900825	1	VOLTMETER 12 V	
14B	60900826	1	VOLTMETER 24 V	
15	60900112	2	DIODE 1 A.	
16	60900111	1	DIODE 6 A.	

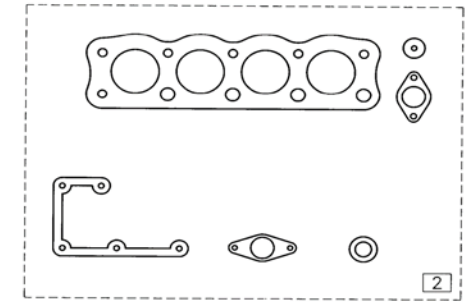
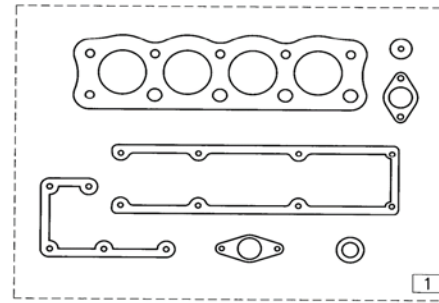


D_SF10_5_8		Deluxe Instrument Panel	
FIG.	REF.	QTY	DESCR.
1*	60990125	1	Panel SFN 12V.
3	60900929	4	Bulb 12V
4	60900925	1	VOLTMETER 12 V
5	60990912	1	TACHOMETER SFN-100,160 and 210
6	60900920	1	Oil Pressure Gauge 12 V
7	54108003	1	Bolt DIN 84 M3-8 INOX.
8	60900119	1	Fuse 0.5A
9	60900301	1	Integrated Circuit Plate 12V
10	60900915	1	Water Gauge 12 V
11	60990006	1	Gasket Panel
12	60900037	1	Key-Locking
13	60900038	1	Cover,KEY
14	60990005	1	Panel N.3
15	60900121	1	FuseHolder, panel
16	60900118	1	Fuse 10 A.
17	60900036	1	Key,Starter Switch

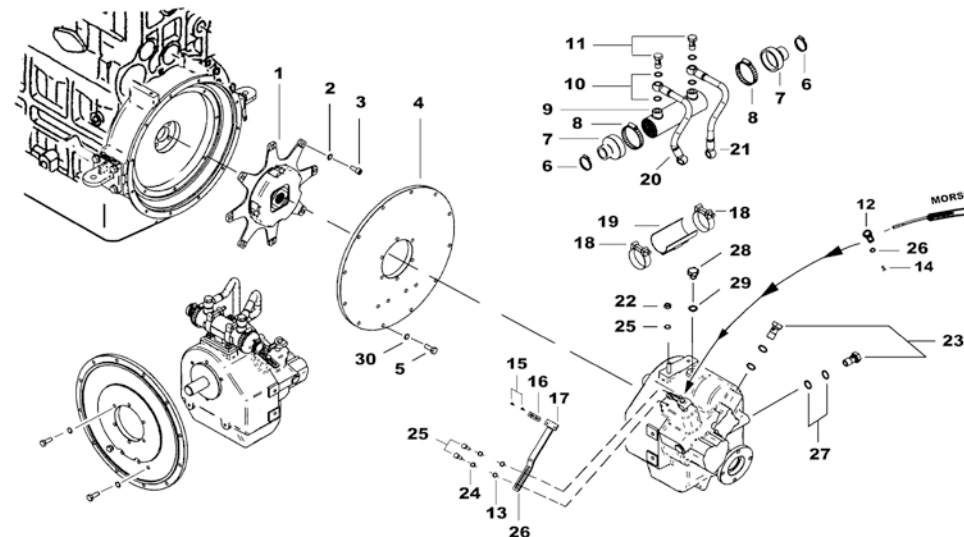


SN24.0

D_19020101			Gasket Kit
FIG.	REF.	QTY	DESCR.
1	19020101	1	Set OF Engine GasketS
2	19020102	1	Valve,refacing gasket set



D_SF10_7_1		Gearbox Kit, TM-93/170	
FIG.	REF.	QTY	DESCR.
1	16510170	1	Flexible Coupling Type C SAE 11"1/2
2	53038010	8	Washer DIN 6798-A 10
3	52103308	8	Bolt DIN 912 M10-25 8.8
4	24810021	1	SAE3 Housing TM-93 and 170
5	52102309	12	Bolt DIN 933 M10-30 8.8
6	54082025	2	Clamp DIN 3017 25-40/12 W4
7	15312007	2	Cover, water cooler D 30
8	54082050	2	Clamp DIN 3017 50-70/12 W4
9	14712051	1	Cooler,oil
10	57000375	4	Washer 17-22-1,5
11	14712015	2	Bolt,Coupling pipe oil
12	14719115	1	Coupling,cable
13	51030008	1	Washer DIN 125-8
14	51051107	1	Pin DIN-94 1,6-16
15	55307104	2	Bolt DIN 86 W3/16-10
16	14719013	1	Clamp,cable
17	18619020	1	Bracket,Gear box control
18	51083060	2	Clamp "P" 59-63
19	18012041	1	Bracket,TM93/170 oil cooler
20A	19212019	1	Pipe,rev.oil cooler
20B	17412017	1	Pipe,Oil
21	19212018	1	Pipe,rev.oil cooler
22	52120010	2	Nut DIN 934 M10 8.8
23	18012012	2	Bolt,eye
24	53033008	2	Washer GROWER DIN 127-8
25A	52102256	2	Bolt DIN 933 M8-15 8.8
25B	52120008	2	Nut DIN 934 M8 8.8
26	51030006	1	Washer DIN 125-6
27	56000083	4	Washer 21-26-1,5
28	52102256	1	Bolt DIN 933 M8-15 8.8
29	56000061	1	Washer 10-16-1,5
30	53033010	12	Washer GROWER DIN 127-10
31	15212022	1	Elbow



25 SOLO PARA TM-93 / ONLY FOR TM-93 / POUR TM-93
 20* / 25* SOLO PARA TM-170 / ONLY FOR TM-170 / POUR TM-170

