



### General data

<b>Maximum power*:</b>	3 kW (3 kVA)	<b>Voltage:</b>	230 V
<b>Prime Power**:</b>	2,7 kW	<b>Amperage:</b>	13 A
<b>Frequency:</b>	50 Hz	<b>Phases:</b>	1

### Dimensions and weights

<b>Total length without canopy:</b>	-	<b>Total length with canopy:</b>	590 mm
<b>Total width without canopy:</b>	-	<b>Total width with canopy:</b>	406 mm
<b>Total height without canopy:</b>	-	<b>Total height with canopy:</b>	515 mm
<b>Dry weight without canopy:</b>	-	<b>Dry weight with canopy:</b>	96 Kg

### Engine

<b>Base engine manufacturer:</b>	Yanmar	<b>Diameter:</b>	78 mm (3,07 in)
<b>Model Solé Diesel:</b>	L70N5	<b>Stroke:</b>	67 mm (2,64 in)
<b>Type:</b>	4 No. of Strokes	<b>Compression ratio:</b>	20:1
<b>Engine RPM:</b>	3000	<b>Injection system:</b>	Mechanical and direct
<b>Number of cylinders:</b>	1	<b>Intake system:</b>	Naturally aspirated
<b>Total displacement:</b>	320 cc	<b>SAE Flywheel housing:</b>	-
<b>Oil:</b>	SAE 15W40	<b>Coolant capacity:</b>	1,2 L (0,32 gal)
<b>Oil capacity:</b>	1,2 L (0,32 gal)	<b>Flywheel:</b>	-
<b>Power:</b>	4,5 kW (6,12 CV)	<b>Coolant flow rate:</b>	-
<b>Salt water flow rate:</b>	20 l/min (5,28 gal/m)	<b>Intake air flow rate:</b>	0,4 m3/m
<b>Exhaust type:</b>	Wet exhaust elbow	<b>Belt protection:</b>	-

Rating conditions according to ISO 3046 (100 kPa barometric pressure, 30 % relative humidity and 25 °C (77 ° F))

\* Maximum output power: maximum power supplied by the genset at full load

\*\* Prime Power: rated power according to ISO 3046 and ISO 8528-1. 10 % overload capacity one hour in twelve hours.

1 kW  $\cong$  1,36 CV 1 kW  $\cong$  1,36 HP (metric) 1 kW  $\cong$  1,36 CH

## Fuel system details

<b>Consumption 25%:</b>	0,4 L/H (0,11 Gal/H)	<b>Fuel type:</b>	Diesel
<b>Consumption 50%:</b>	0,7 L/H (0,18 Gal/H)	<b>Fuel standards:</b>	Fueloil diesel ASTM
<b>Consumption 75%:</b>	1,1 L/H (0,29 Gal/H)	<b>Injection pump type:</b>	Individual
<b>Consumption 100%:</b>	1,3 L/H (0,34 Gal/H)	<b>Governor type:</b>	Mechanical

## Electrical system

<b>Battery voltage:</b>	12 V	<b>Stop solenoid type:</b>	ETS
<b>Starter motor:</b>	1,2 kW	<b>Alternator:</b>	-
<b>Earth isolated:</b>	-	<b>IP 65 box kit:</b>	Optional
<b>SCO 11 double panel:</b>	Optional	<b>Current transformers:</b>	Optional

## Installation details

<b>Exhaust hose inner diameter:</b>	45 mm (1,77 in)	<b>Maximum fuel lift height:</b>	1 m (3,28 ft)
<b>Sea water hose inner diameter:</b>	13 mm (0,51 in)	<b>Maximum raw water lift height:</b>	1 m (39,37 in)
<b>Fuel feeding hose inner diameter:</b>	8 mm (0,31 in)	<b>Maximum sea water temperature:</b>	32 °C (89,6 °F)
<b>Fuel return hose inner diameter:</b>	8 mm (0,31 in)	<b>Maximum installation angle***:</b>	20 °
<b>Minimum battery capacity:</b>	12 V 60 Ah		

## Alternator details

<b>Brand:</b>	MA4	<b>Cos φ:</b>	1
<b>Model:</b>	VO90	<b>Tropicalized:</b>	Yes
<b>Regulator type:</b>	CAPACITOR	<b>Excitation system:</b>	BRUSHLESS
<b>Number of poles:</b>	2	<b>Voltage regulation accuracy**:</b>	1
<b>Isolation type*:</b>	-	<b>Standards:</b>	EN60034-1, IEC 60034-1, ISO 8528-3
<b>IP protection*:</b>	-	<b>Alternator type:</b>	Synchronous

## Standard equipment

10 m electrical wiring extension	SCO 5 control panel
Oil extraction pump	Owner's and alternator manual
Rigid bed	Packaging
Silentblocks	

## Optional accessories

Siphon break kit mandatory if generator is below waterline	Fuel filter/water separator
Service/Cruise Kits: fuel and oil filters, raw water pump, impeller, alternator belt,...	Gas/Water Separator
Exhaust System	Fuel Hose
Water Filters	Exhaust Hose
Sea water cock	Raw water hose
Welcome Kit	

\* Other protections available

\*\* With load from 0 to 100%, speed variation from -2% up to +5%, power factor 0,8 linear and balanced load.

\*\*\* In all directions

For other requirements please contact the Sales Dept.



# SCO 5 Panel



## General Description

- Graphic LCD with light Display, 128 x 64 pixels
- 3 LED indicators
- Marine genset measures (see display information)
- Marine genset protections (see alarm management)
- Running hour indicator
- Type B USB for programming
- Programming from the same panel
- Universal Interface
- Preheating function
- D+ preexcitation terminal
- CAN bus output with SAEJ1939 protocol
- 2 multipurpose timers
- Dimensions 118x 108 x 43 mm
- Weight 246 g

## Alarm Management

### Shutdown (SD)

- High coolant temperature
- Low oil pressure
- Overspeed
- Overload\*
- Short circuit\*
- Overcurrent\*
- Over/Under voltage
- Over/Under frequency
- Emergency stop

### Warnings (WRN)

- Over/Under battery voltage
- Maintenance request

### Sensor Fails (FLS)

## Operating modes

- OFF Mode
- MAN Mode (manual start/stop engine)
- AUT Mode (auto start/stop engine)

## Power Supply

- Voltage supply 12/24 DC with fuse protection
- Consumption 60/35 mA

## Operating Conditions

- Operating temperature -20+70 °C
- Humidity 95 % without condensation
- Front Panel Protection IP65

### Standard Conformity

- EN 61000-6-2, EN 61000-6-4, EN 61010-1
- EN 60068-2-6 (2÷25 Hz / ±1,6 mm; 25÷100 Hz / 4.0 g)
- EN 60068-2-30:2005 25/55 °C, RH 95%, 48hours
- EN 60529 (front panel IP65, back side IP20)

## Display Information

### Measurement

- L1-L3 Voltage (V), Frequency (Hz), Oil Pressure (bar)
- Coolant Temperature (°C), Battery voltage (V), RPM
- Active Power\* (kW), Apparent, Power\* (kVA), Current\* (A), PF\*

### History log

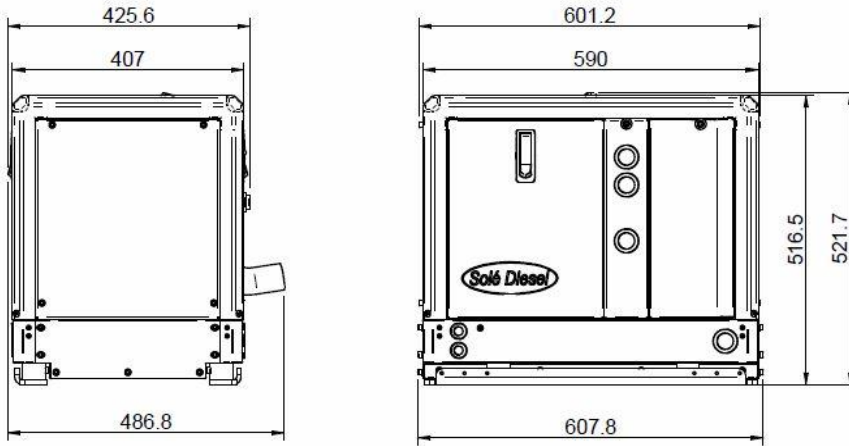
## Optional Equipment

### IP 65 Box Kit

- Panel built into an electrical box with IP65 protection
- Kit with emergency shutoff, switch and alarm.

\* The specified function needs the current transformers (Optional Equipment) for showing the information in panel display.

## Dimensions



Authorized dealer

[www.solediesel.com](http://www.solediesel.com)  
[info@solediesel.com](mailto:info@solediesel.com)

Detailed drawings, brochures and manuals are available on the web [solediesel.com](http://www.solediesel.com). All rights reserved. Technical specifications, data and presentation are subjected to variations, changes and updates without prior notice. Non-contractual information.