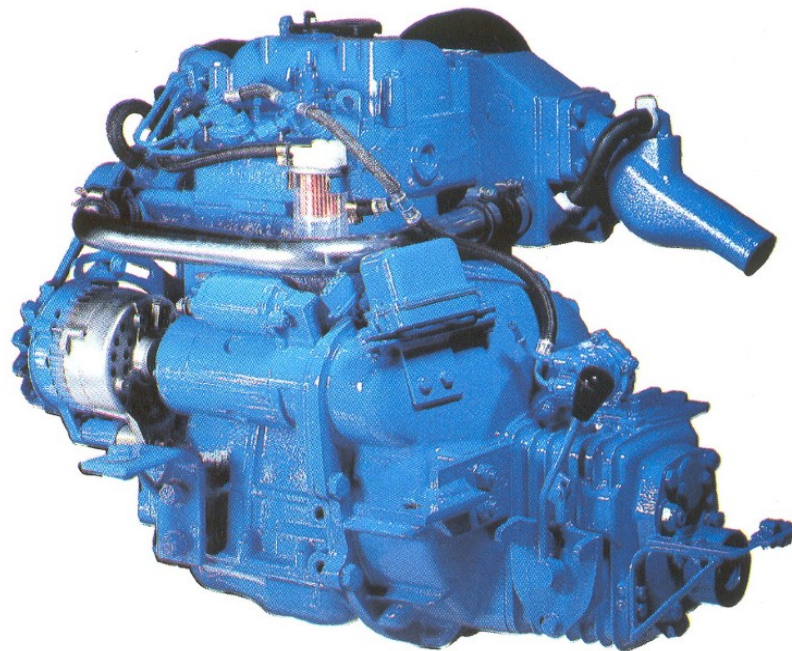




Engine MINI-14
VERSION 2017-12
SPARE PARTS MANUAL



PARTS LIST CATALOGUE

NORMS TO PLACE AN ORDER:

For fast and more efficient service, please specify the following information on spare parts orders that must be preferably done by FAX or e-mail as specified below:

- 1- Engine model: As shown in identification plate
- 2- Engine serial number: As shown in identification plate and stamped on crankcase
- 3- Item description + part number + quantity required

Spare parts requests must be addressed to:

recambios@solediesel.com

Telf.: +34 93 775 44 05

Fax: +34 93 775 30 13

The components shown in the catalog have:

- Figure: Number by which they are represented in scheme
 - Description: Trade name of the component
 - Quantity: Total number of parts used in the assembly of the part represented (may differ from the total minimum quantities)
- Hoses, indicates the total length in meters

The diagrams shown in this catalog of spare parts, have only the purpose to identify the piece in question, its representation is not meaningful and may differ from the actual piece.

In case of doubt, contact Solé Diesel, or your authorized dealer.

The parts i / or references in this catalog are subject to change without notice.

[SOLE, S.A.](#)

C-243b, Km, 2 - P.O. BOX 15
08760 Martorell (Barcelona) Spain

Download the latest version of this manual [HERE](#)

Engine body, MINI-14

Cylinder Head
Oil Pan & Gear Case
Timing Parts
Crankcase
Crankshaft, Piston & Connecting Rod
Oil System
Engine Brackets
Bracket, Engine Control

Inlet System, MINI-14

Inlet

Cooling System, MINI-14

Water Pump
Cooling System 1
Cooling System 2

Fuel System, MINI-14

Fuel Pipe
Fuel Injection Pump
Nozzle
Governor Parts

Electrical System, MINI-14

Electrical System 1
Electrical System 2

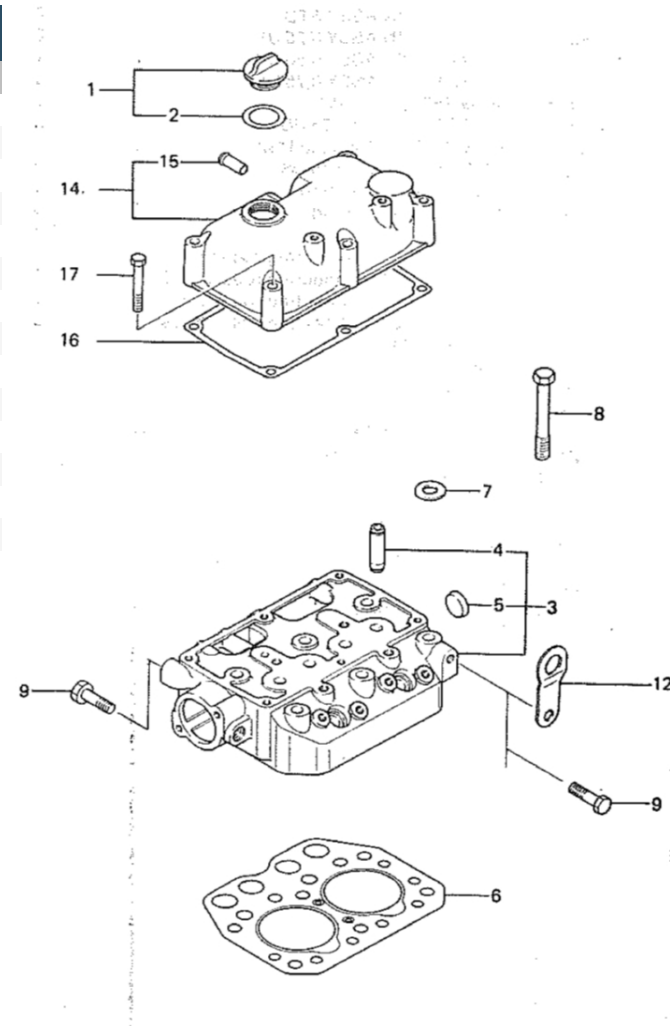
Maintenance Kit, MINI-14

Gasket Kit

GearBox MINI-14

GearBox RONIM III R.2,00

D_MI14_1_1 Cylinder Head						
FIG.	REF.	QTY	DESCR.	FROM	UPTO	
1	13521003	1	Cap Oil FILLER			
2	13124056	1	Packing [NP]			
3	13521001	1	Head Assy CYLINDE			
4	13521002	4	Guide Valve [NP]			
5	13220012	1	Cap Sealing			
6	13521004	1	Gasket Cylinder H			
7	13121005	6	Washer FINISHED P			
8	13521006	6	Bolt,cylinder head			
9	13127007	2	Brace Generator [NP]			
12	(*)	2	Not available [NP]			
14	13521009	1	Cover Assy Rocker			
15	13221017	1	Pipe			
16	13521010	1	Gasket Rocker COV			
17	13520034	6	Bolt			

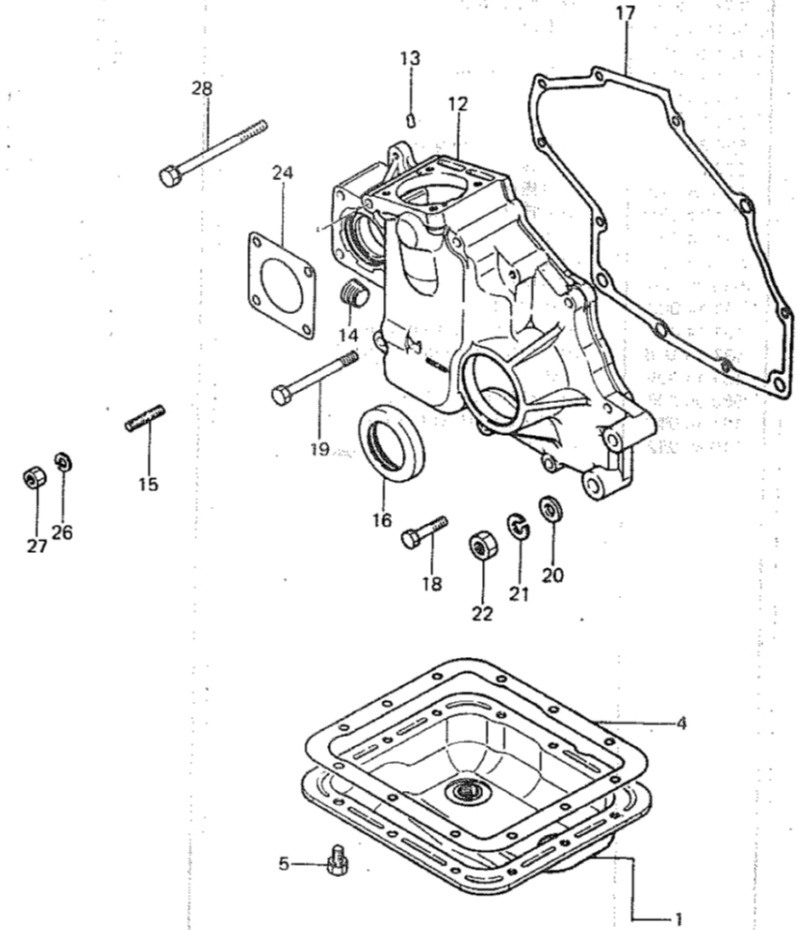


[NP] Not provided





D_MI14_1_2		Oil Pan & Gear Case				
FIG.	REF.	QTY	DESCR.	FROM	UPTO	
1	13520030	1	PAN Assy Oil			
4	13520032	1	Gasket OilPAN			
5	13120034	12	Bolt DIN 933 M8-15 8.8			
12	13520034	1	Bolt			
13	13120036	2	Pin Dowel [NP]		02/08/2017	
13	17620036.4	2	Pin Dowel	02/08/2017		
14	13120037	1	Plug TAPER 1/2			
15	13120038	2	Stud			
16	13120039	1	Seal OIL			
17	13520040	1	Gasket Gear Case			
18	13520042	4	Bolt DIN 931 M8-35 8.8 [NP]			
19	13520041	2	Bolt			
20	13120043	2	Washer DIN 125-12			
21	13120044	2	Washer GROWER DIN 127-12			
22	13120045	2	Nut DIN 934 M12-1,25 8.8			
24	13120047	1	Gasket Water Pump			
26	13120049	4	Washer GROWER DIN 127-8			
27	13120050	4	Nut DIN 934 M8 8.8			
28	13120041	1	Bolt DIN 931 M8-100 8.8			

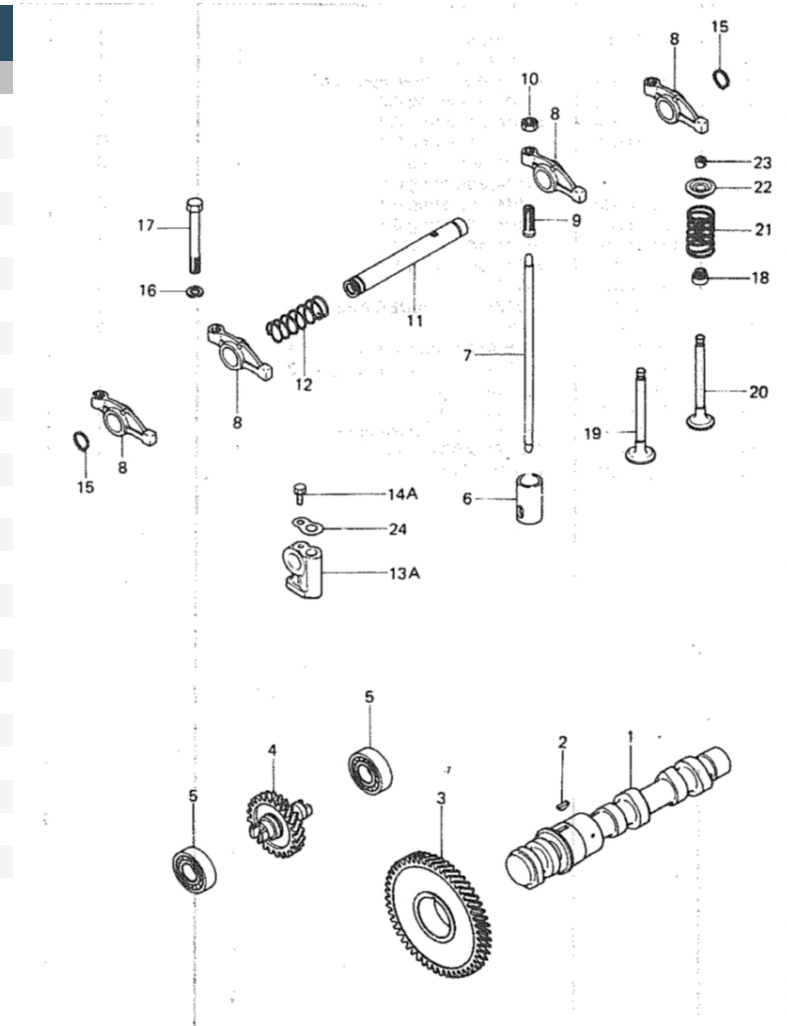


[NP] Not provided





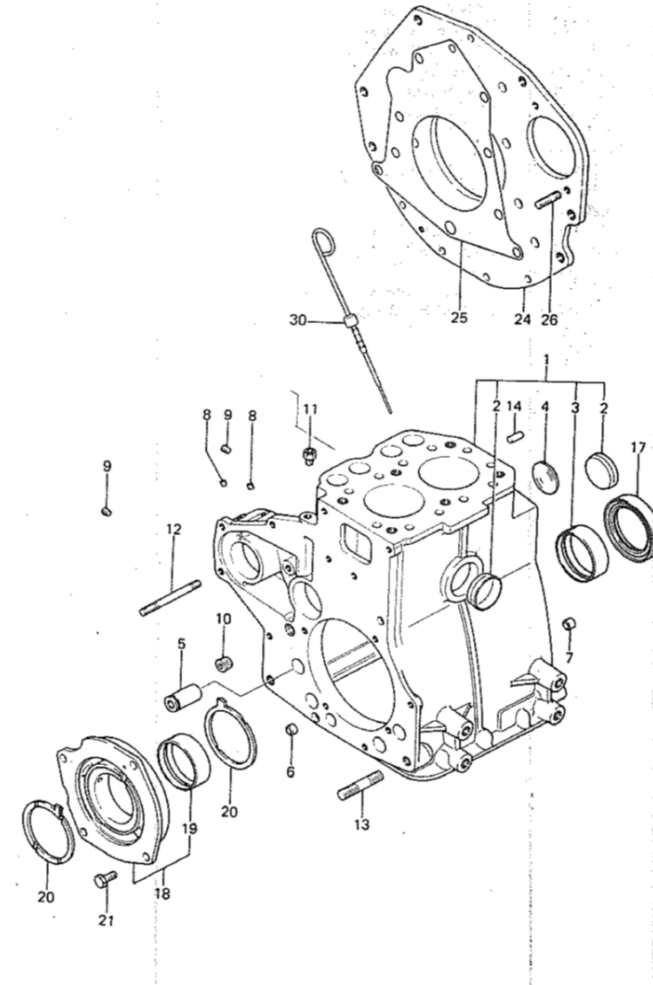
D_MI14_1_4 Timing Parts						
FIG.	REF.	QTY	DESCR.	FROM	UPTO	
1	13522035	1	CamShaft			
2	13122036	1	KEY			
3	13122037	1	Gear Cam Shaft			
4	13122038	1	Gear PRESSUR Oil			
5	13122039	2	Ball Bearing 6204			
6	13222061	4	Tappet			
7	13522041	4	ROD PUSH			
8	13522042	4	ARM Rocker [NP]			
9	13122044	4	Screw Adjusting			
10	13122045	4	Nut			
11	13522046	1	Shaft Assy			
12	13122047	1	Spring			
13	13222049	2	STAY Rocker			
14	13222064	2	Bolt DIN 933 M6-16 8.8			
15	13122051	2	CIRClip DIN 471 E-19			
16	13122052	2	Washer GROWER DIN 127-10			
17	13522053	2	Bolt			
18	13222054	4	Seal Valve Stem			
19	13522055	2	Intake Valve			
20	13522056	2	Exhaust Valve			
21	13222057	4	Spring Valve			
22	13222058	4	Retainer			
23	13222059	8	Lock Valve			
24	13222063	2	Washer Seat			



[NP] Not provided



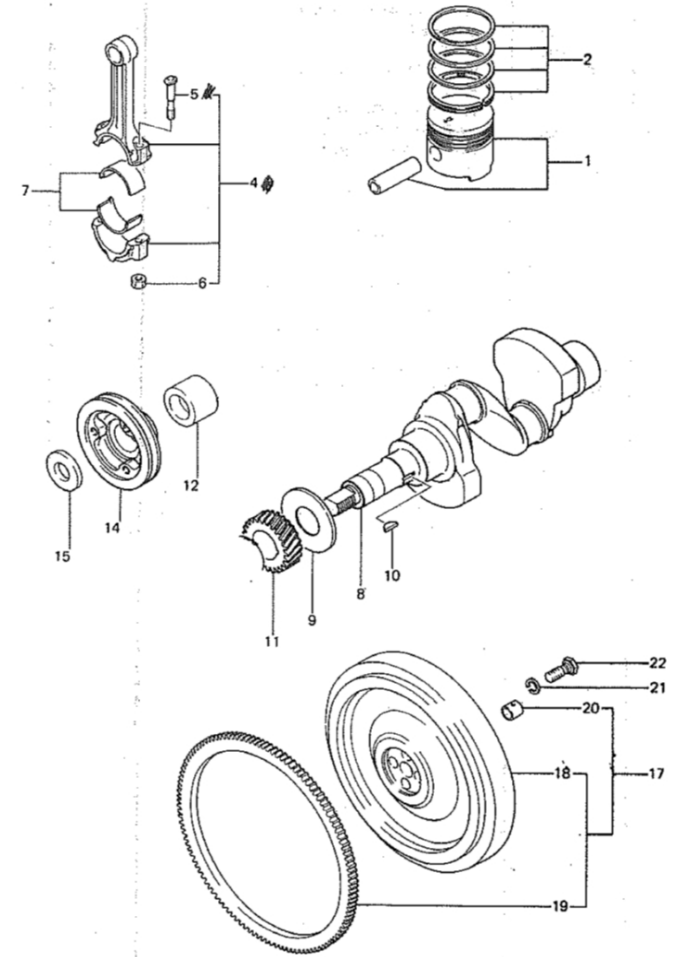
D_MI14_1_6		Cranckcase				
FIG.	REF.	QTY	DESCR.	FROM	UPTO	
1	13520001	1	Block SUB Assy CY			
2	13520013	2	Cap,SeallNG			
3A	13520003	1	Metal Crank Shaft			
3B	13520004	1	METAL			
3C	13520005	1	Bearing CRANK SHA			
3D	13520006	1	METAL CrankShaft			
4	13120007	1	Plug Expansion			
5	13120008	1	Shaft GOVERNOR GE			
6	13120009	2	Bushing			
7	13520010	1	KNOCK			
8	17820011	2	Plug, Tapered [NP]	12/07/2017		
8	13120011	2	Plug, Tapered [NP]		12/07/2017	
9	13120012	2	Plug Taper 1/16 [NP]			
10	13120013	1	Plug TAPER 1/4			
11	13120014	1	Connector			
12	13120015	2	Stud			
13	13520016	2	Stud 12X60			
14	13220020	1	Pin [NP]		02/08/2017	
14	17620020.4	1	Pin	02/08/2017		
17	13120019	1	Seal Oil			
18	13520020	1	Bearing HOUSI			
19A	13520003	1	Metal Crank Shaft			
19B	13520004	1	METAL			
19C	13520005	1	Bearing CRANK SHA			
19D	13520006	1	METAL CrankShaft			
20	13120025	1	Metal			
21	13120026	4	Bolt DIN 933 M8-20 8.8			
25	13520025	1	Gasket REAR Plate			
26	13520028	1	Stud			
27	13520060	1	Pin KNOCK (8X10)			
29	13227002	9	Bolt DIN 933 M10-1,25-25 8.8			
30	13520029	1	Gauge Oil LEVEL			



[NP] Not provided



D_MI14_1_8		Crankshaft, Piston & Connecting Rod			
FIG.	REF.	QTY	DESCR.	FROM	UPTO
1A	13222001	2	Piston & PISTON P STD		
1B	13222002	2	Piston & PISTON P 0,25		
1C	13222003	2	Piston & PISTON P 0,50		
1D	13222004	2	Piston & PISTON P 0,75		
2A	13222006	2	Ring Set Piston STD		
2B	13222007	2	Ring Set Piston O,25		
2C	13222009	2	Ring Set Piston O,75		
4	13222012	2	ROD Assy		
5	13222013	4	Bolt,connecting rod		
6	13222011	4	Nut,connecting rod		
7A	13222014	2	METAL Set STD		
7B	13222015	2	METAL Set 0.25		
7C	13222016	2	METAL Set 0.50		
7D	13222017	2	METAL Set 0.75		
8	13522018	1	Shaft CRANK		
9	13122019	1	Plate CrankShaft		
10	13122020	2	Key		
11	13122021	1	Gear CrankShaft		
12	13522022	1	PIECE DISTANCE		
14	13522024	1	Pulley CrankShaft		
15	13122025	1	Washer Plain		
17	13522027	1	Flywheel Assy [NP]		
18	13522028	1	Flywheel [NP]		
19	13122029	1	Gear		
20	13122032	1	SELFOil D. 16X19X15		
21	13122030	4	Washer		
22	13122031	4	Bolt		
NS	13122026	1	Nut [NS]		

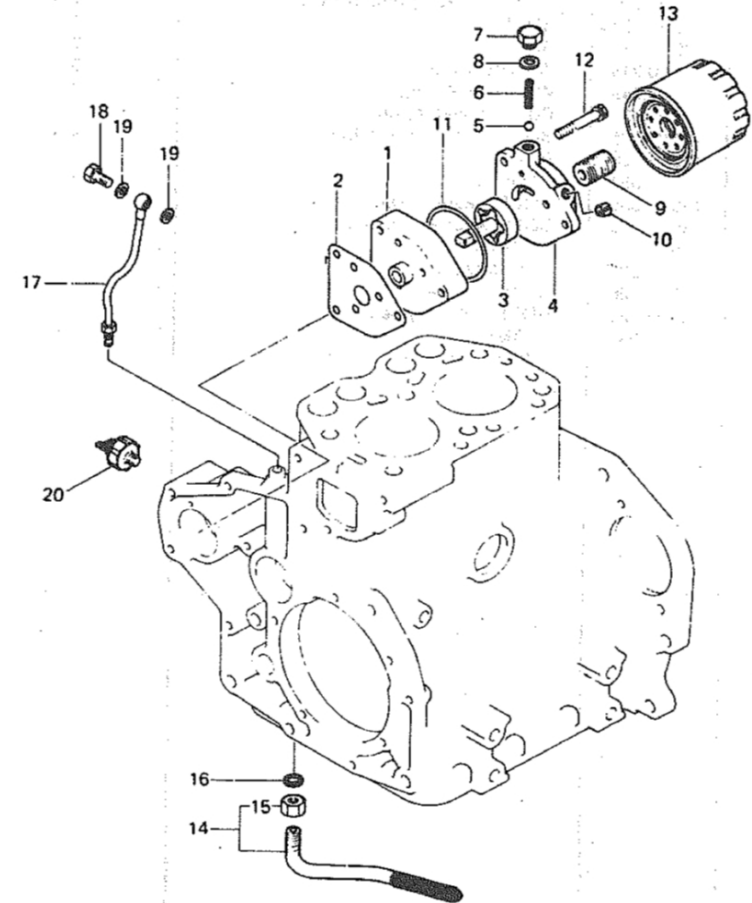


[NP] Not provided
 [NS] Not shown





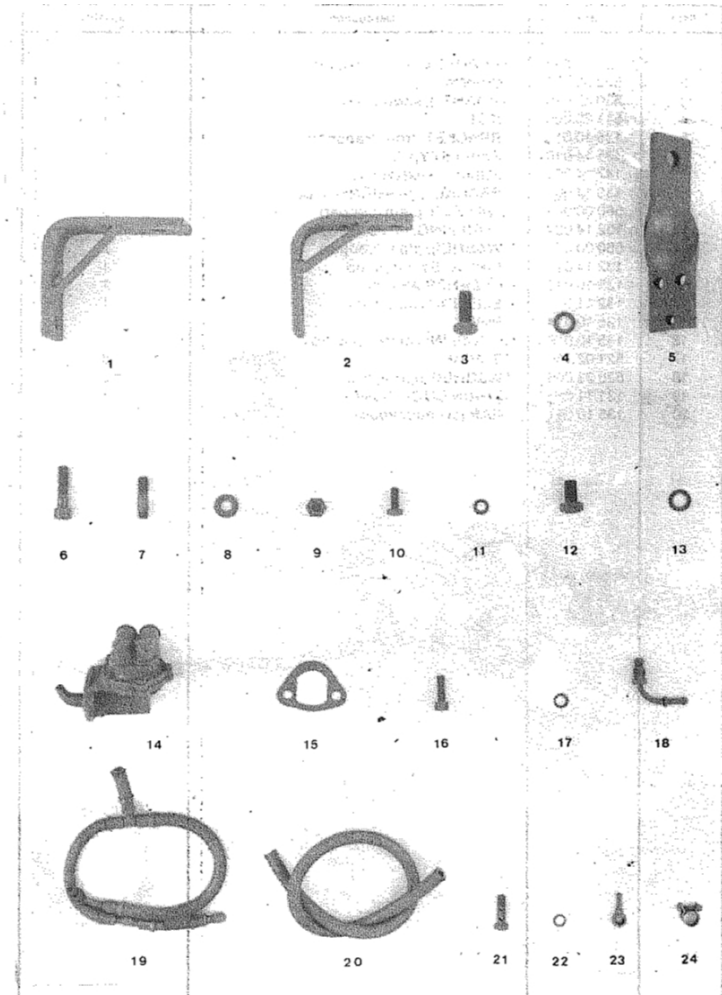
D_MI14_1_10		Oil Sysem				
FIG.	REF.	QTY	DESCR.	FROM	UPTO	
1	13124040	1	Body Oil Pump			
2	13124041	1	Gasket Oil Pump B			
3	13124042	1	Rotor Assy			
4	13124061	1	Cover Pump oil			
5	13124043	1	Ball			
6	13124044	1	Spring Oil RELIEF			
7	13124045	1	Plug Screw			
8	13124046	1	Gasket			
9	13124047	1	Shaft Oil Filter			
10	13124048	1	Plug			
11	13124049	1	O-Ring D. 68X2			
12	13124050	3	Bolt DIN 931 M8-50 8.8			
13	13124051	1	Filter Oil Element			
14	13524052	1	SCREEN Assy Oil			
15	13124053	1	Nut			
16	13124001	1	Washer			
17	13524057	1	Pipe Assy Oil [NP]			
18	13124058	1	Bolt EYE			
19	13124059	2	Gasket			
20	13124060	1	Switch			



[NP] Not provided



D_MI14_1_12		Engine Brackets			
FIG.	REF.	QTY	DESCR.	FROM	UPTO
1	13510001	1	Bracket Front,right		
2	13510002	1	LEFT Front Bracket		
3	52202359	4	Bolt DIN 933 M12-1,25-30 8.8		
4	53033012	4	Washer GROWER DIN 127-12		
5	13210010	2	REAR Bracket		
6	52103311	4	Bolt DIN 912 M10-40 8.8		
7	13110011	2	Stud		
8	13110017	6	Washer DIN 125		
9	51123010	6	Nut DIN 985 M10 5.6		
10	51102257	4	Bolt DIN 933 M8-20 8.8		
11	53033008	4	Washer GROWER DIN 127-8		
12	52202357	6	Bolt DIN 933 M12-1,25-20 8.8		
13	53038012	6	Washer DIN 6798-A 12		
14	13114001	1	Pump Fuel Supply		
15	13114002	2	Gasket		
16	52103258	2	Bolt DIN 912 M8-25 8.8		
17	53038008	2	Washer DIN 6798-A 8		
18	13114003	1	Pipe Inlet		
19	13514005	1	Pipe,fuel pump to nozzle		
20	13714008	1	Pipe,fuel filter to pump [NP]		
21	13114008	1	Screw LONG Connector		
22	56000006	5	Washer 8-12-1		
23	13114011	1	Connector SPHERICAL OverFLOW		
24	51080012	3	Clamp 12-13		

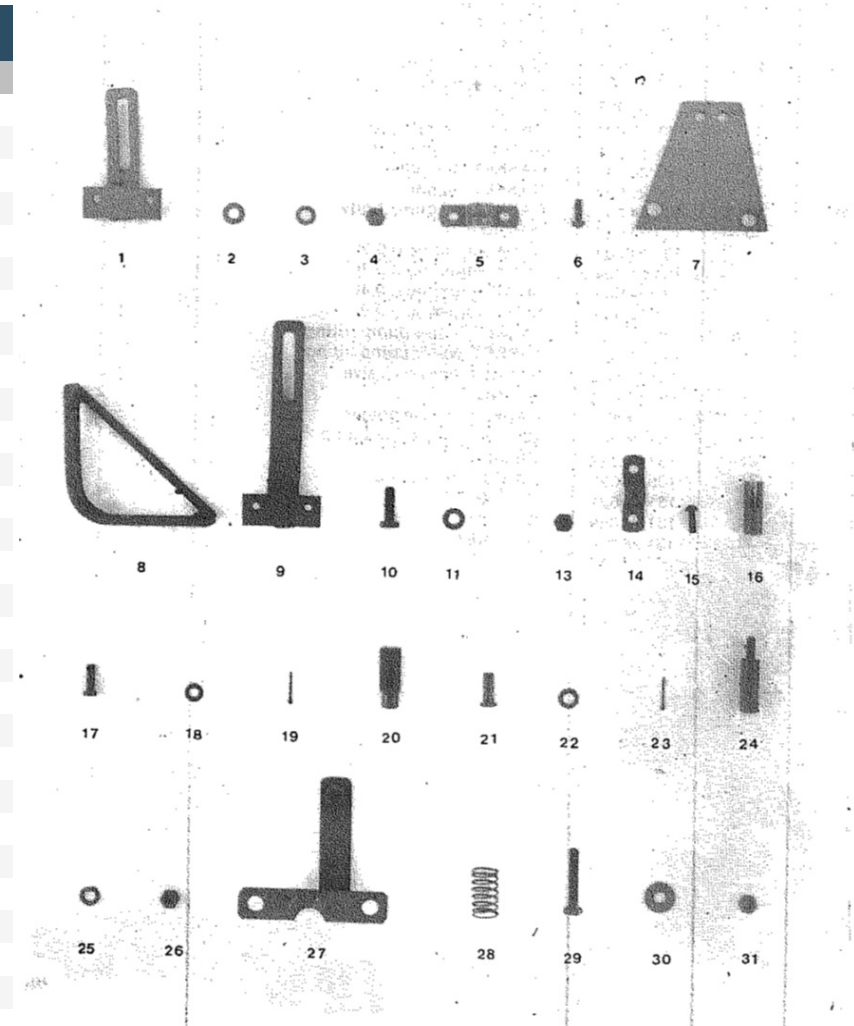


[NP] Not provided



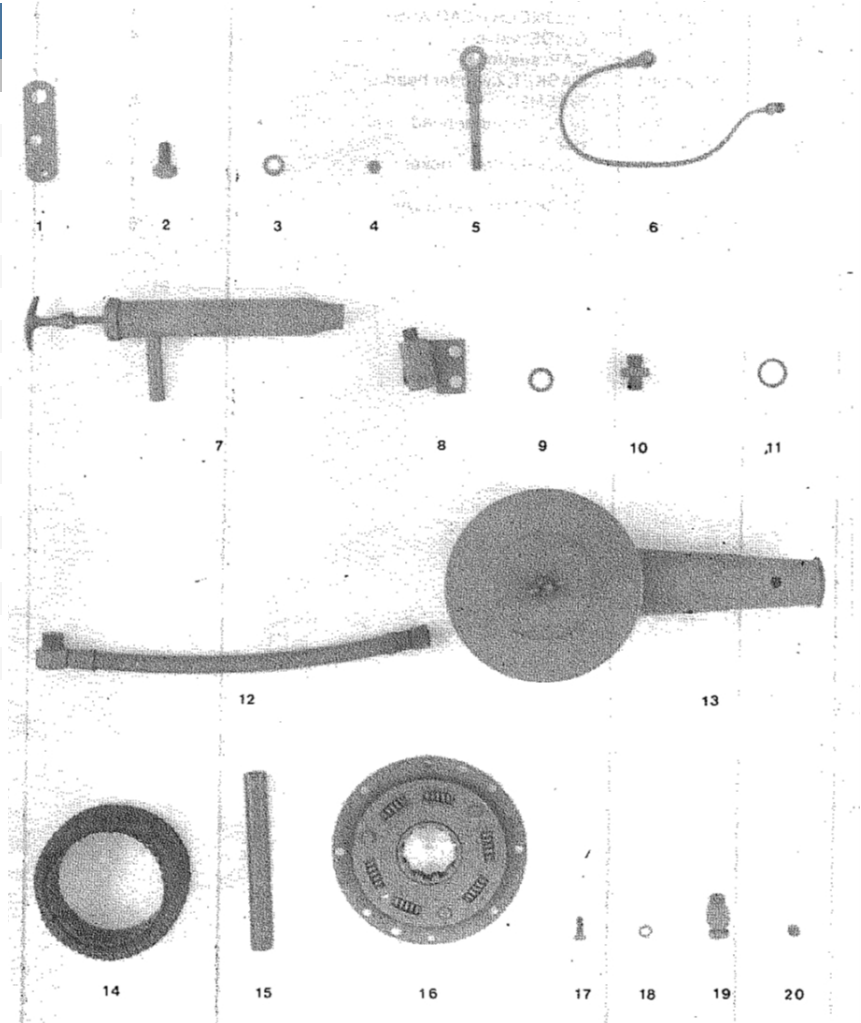


D_MI14_1_13		Bracket, Engine Control				
FIG.	REF.	QTY	DESCR.	FROM	UPTO	
1	13519004	1	Bracket,engine control			
2	51030006	2	Washer DIN 125-6			
3	53033006	2	Washer GROWER DIN 127-6			
4	51120006	2	Nut DIN 934 M6 8.8			
5	14719013	1	Clamp,cable			
6	55307105	2	Bolt DIN 86 W3/16-13			
7	13119015	1	Bracket Morse REVERSE Gear			
8	12119020	1	Bracket,Gear box control			
9	12119021	1	SUPPORT Clamp			
10	51102157	4	Bolt DIN 933 M6-20 8.8			
11	51030006	4	Washer DIN 125-6			
12	53033006	4	Washer GROWER DIN 127-6			
13	51120006	4	Nut DIN 934 M6 8.8			
14	14719013	1	Clamp,cable			
15	55307105	2	Bolt DIN 86 W3/16-13			
16	13119128	1	SPLIT,piece special			
17	14719027	1	Pin			
18	51030005	2	Washer DIN 125-5			
19	51051107	1	Pin DIN-94 1,6-16			
20	13119003	1	SPLIT PIECE			
21	14719034	1	Pin			
23	51051107	1	Pin DIN-94 1,6-16			
24	13519007	1	TOP,stop			
25	53033006	5	Washer GROWER DIN 127-6			
26	51120006	1	Nut DIN 934 M6 8.8			
27	13519006	1	Bracket,low speed			
28	13519005	1	Spring,control			
29	51102160	1	Bolt DIN 933 M6-35 5.6			
30	51031006	1	Washer DIN 9021 6			
31	51120006	2	Nut DIN 934 M6 8.8			



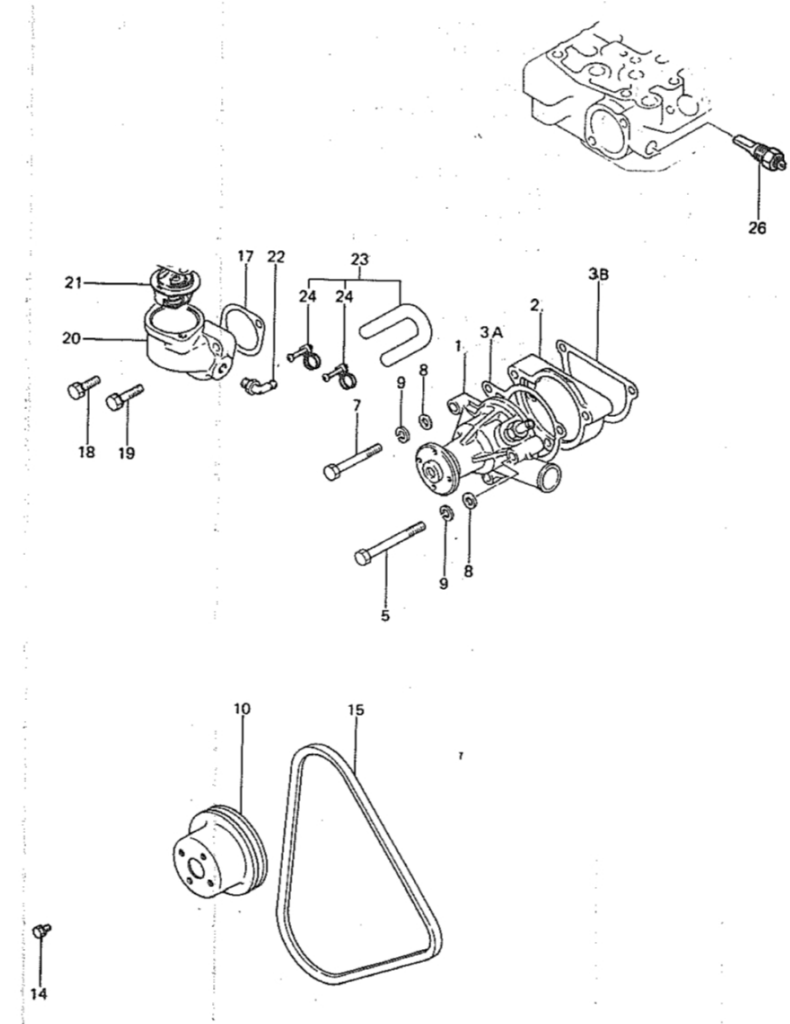


D_MI14_2_1		Inlet			
FIG.	REF.	QTY	DESCR.	FROM	UPTO
1	13111014	1	Support CANIAGE REAR		
2	52202307	1	Bolt DIN 933 M10-1,25-20 8.8		
3	53033010	1	Washer GROWER DIN 127-10		
4	51120006	1	Nut DIN 934 M6 8.8		
6	13514010	1	Pipe Assy,oil		
7	14714001	1	Pump,oil Suction		
8	13514002	1	Bracket,oil extraction pump		
9	56000068	3	Washer 13,5-20-1,5		
10	13214024	1	NIPPLE,oil pump bracket		
11	56000077	2	Washer 18-23-1,5		
12	13214021	1	ExtraCTION Hose		
13	13510012	1	Air Filter Assy		
14	13211013	1	Air Filter Assy		
15	13510014	1	Pipe		
16	13510010	1	Flexible Coupling Type A D. 155		
17	52102156	8	Bolt DIN 933 M6-16 8.8		
18	53033006	8	Washer GROWER DIN 127-6		
19	13111039	1	Plug,taper		
20	13510011	1	Cap,cylinder head		





D_MI14_3_1		Water Pump				
FIG.	REF.	QTY	DESCR.	FROM	UPTO	
1	13521020	1	Pump Assy Water			
2	13521031	1	Cover Water Pump [NP]			
3	13521022	1	Gasket Water Pump			
5	13521034	1	Bolt (4T:8/85)			
7	13521033	2	Bolt			
8	13120048	3	Washer DIN 125-8			
9	13120049	3	Washer GROWER DIN 127-8			
10	13221021	1	Pulley Water Pump			
14	13123005	4	Bolt DIN 933 M6-12 8.8 [NP]			
15	13521028	1	Belt Type			
17	13211054	1	Engine Water OutLER Gasket			
18	13521035	3	Bolt DIN 931 M8-30 8.8 [NP]			
19	(*)	1	Not available [NP]			
20	13521037	1	Fitting Thermostat			
21	13221027	1	Thermostat (71°)			
22	13521026	1	Nipple			
23	13521025	1	Hose Assy BYPASS [NP]			
24	51080012	2	Clamp 12-13			
26	13127080	1	SWITCH THERMO			

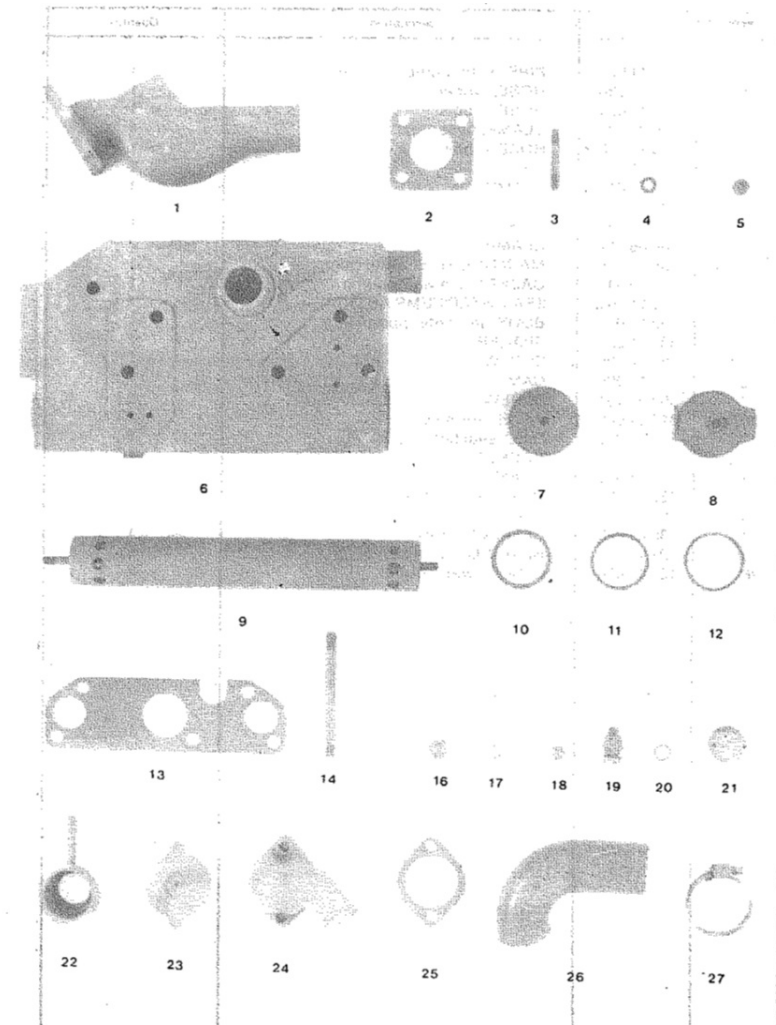


[NP] Not provided





D_MI14_3_2		Cooling System 1				
FIG.	REF.	QTY	DESCR.	FROM	UPTO	
1	13111023	1	Elbow, Wet Exhaust			
2	15113043	1	Exhaust Elbow Gasket			
3	13513016	4	Stud,cover			
4	53033008	4	Washer GROWER DIN 127-8			
5	54120008	4	Nut DIN 934 M8			
6	13511001	1	Water Cooler Assy MINI-14 [NP]			
7	13511002	1	Water Cooler Cover			
8	13511003	1	Water Cooler Cover			
9	13511004	1	Tubular Bundle			
10	13511008	1	O-Ring D. 45X4,5			
11	13511010	1	O-Ring D. 45X3			
12	25210417	1	O-Ring D. 47X2,5			
13	13511011	1	Gasket			
14	13511012	5	Stud			
16	13511013	5	Nut DIN 1587 M10			
17	56000057	4	Washer 8-13-1,5			
18	13211016	2	Nut DIN 1587 M8			
19	13111038	1	Bolt DIN 933 M10-15 8.8			
20	56000062	2	Washer 10,5-16,5-1,5			
21	14711010	1	Plug 1"			
22	15111002	1	Cap Mouth		26/04/2017	
22	17411004	1	Adapter, MTA Cap	27/04/2017		
23	13811010	1	Cap	27/04/2017		
23	14711003	1	Cap [NP]		18/01/2017	
23	14711003.1	1	Cap	19/01/2017	27/04/2017	
24	13511021	1	Fitting, Water Outlet			
25	13211054	1	Engine Water OutLER Gasket			
26	13511022	1	Hose Assy,water			
27	54082032	2	Clamp DIN 3017 32-50/12 W4			

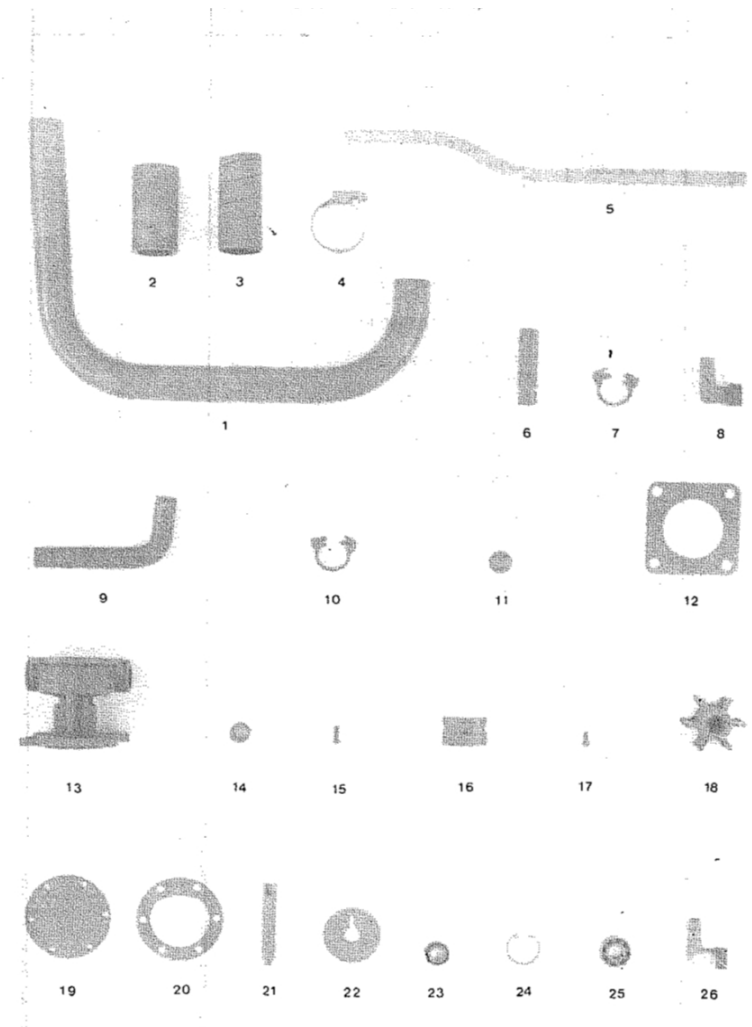


[NP] Not provided





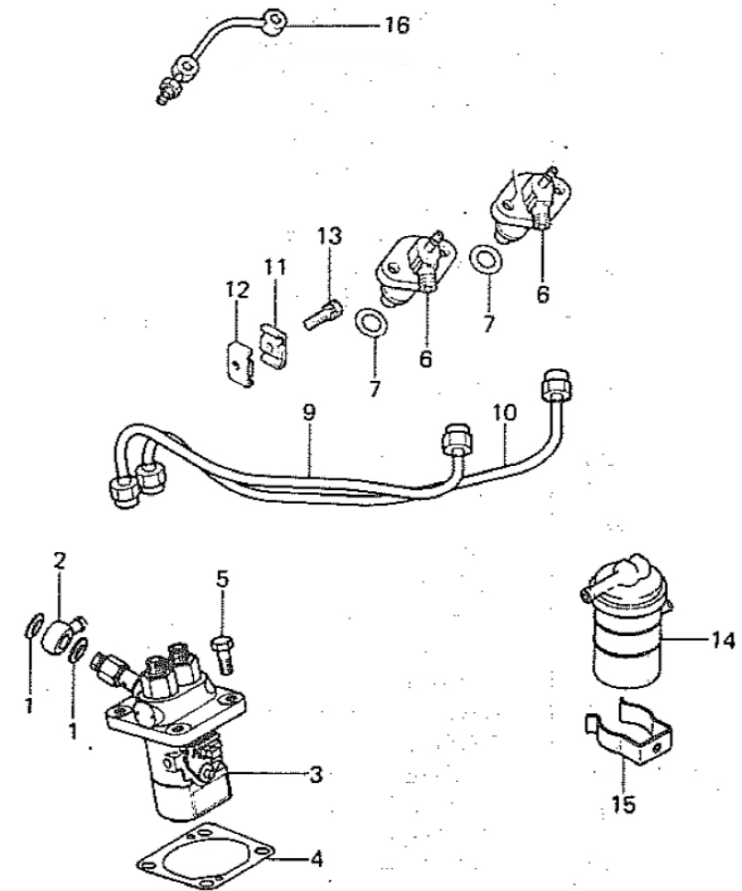
D_MI14_3_3		Cooling System 2			
FIG.	REF.	QTY	DESCR.	FROM	UPTO
1	13511025	1	Pipe,water pump to cooler		
2	13611038	1	Pipe 30-40-75		
3	13511024	1	Pipe 28-38-80		
4	54082025	4	Clamp DIN 3017 25-40/12 W4		
5	13511028	1	Hose,rubber		
6	13511030	2	Pipe 12-21-60		
9	13111037	1	Elbow Rubber		
10	(*)	1	Not available [NP]		
11	13511026	1	MAINTANANCE,water pump		
12	13120047	1	Gasket Water Pump		
13	33211001	1	Body Water Pump		
13-26	33411000	1	1/2" Water Pump, Seawater		
14	33211015	1	Bushing Spacer		
15	55307105	1	Bolt DIN 86 W3/16-13		
16	31211005	1	Cam		
17	55307104	6	Bolt DIN 86 W3/16-10		
18	31211008	1	1/2" Impeller		
19	31211002	1	Cover Pump		
20	31211003	1	Gasket Cover		
21	31211010	1	Shaft Pump		
22	33211026	1	Disk		
23	32111020	2	Seal Shaft 12-22-7		
24	53041028	1	CIRClip DIN 472 I-28		
25	12110030	2	Ball Bearing 6001-C3		
26	12811057	2	Elbow,water outlet	24/03/2017	
26	12811056	2	Elbow,water outlet [NP]		24/03/2017



[NP] Not provided



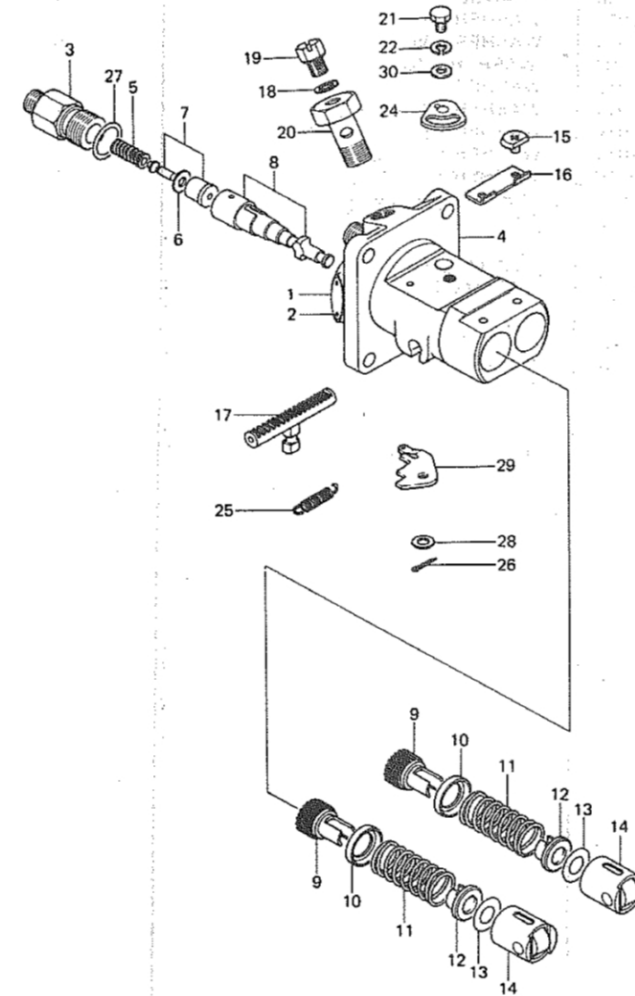
D_MI14_4_1 Fuel Pipe						
FIG.	REF.	QTY	DESCR.	FROM	UPTO	
1	13124001	2	Washer			
2	13124002	1	COLLAR,union			
3	13525001	1	Pump Assy Fuel IN			
4A	13124003	0	Shim Adjusting T=0,2mm [VAR]			
4B	13124004	0	Shim Adjusting T=0,3mm [VAR]			
4C	13124005	0	Shim Adjusting T=0,4mm [VAR]			
4D	13124006	0	Shim Adjusting T=0,5mm [VAR]			
4E	13124007	0	Shim Adjusting T=0,6mm [VAR]			
4F	13124008	0	Shim Adjusting T=0,7mm [VAR]			
4G	13124009	0	Shim Adjusting T=0,8mm [VAR]			
4H	13124010	0	Shim Adjusting T=0,9mm [VAR]			
4I	13124011	0	Shim Adjusting T=1,0mm [VAR]			
6	13126001	2	Nozzle			
7	13124013	2	Gasket Nozzle HOL			
9	13524015	1	Pipe Injection N.1			
10	13524016	1	Pipe Injection N.2			
11	13124017	1	Clamp (B)			
12	13124018	1	Clamp (A)			
13	13124019	1	Bolt			
14	13124020	1	Filter Assy Fuel			
15	13124021	1	Clamp Filter			
16	13514018	1	Assy,Fuel Return			



[VAR] Variable according to repair



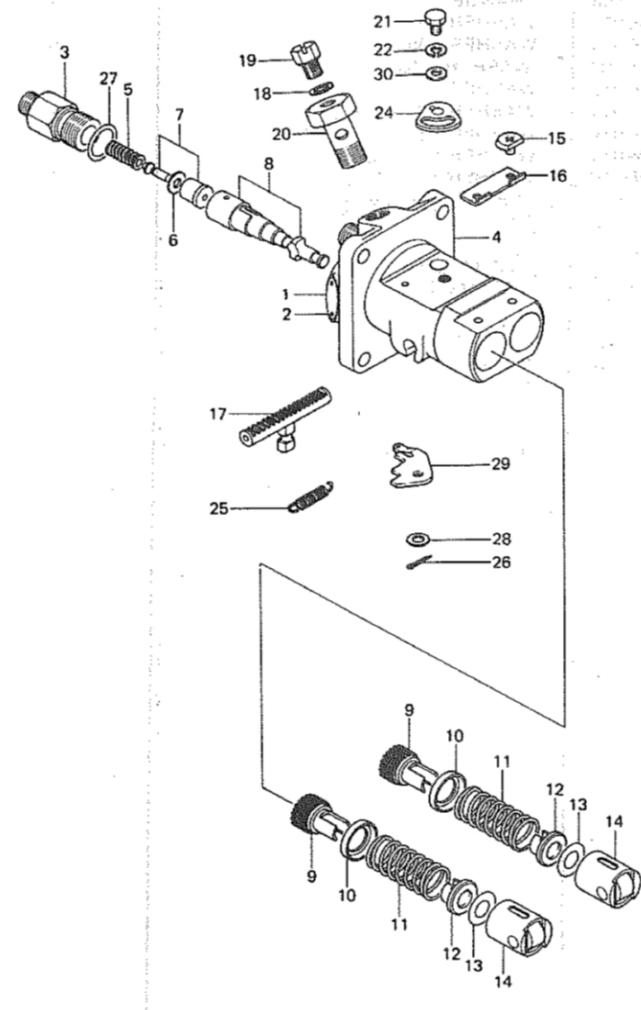
D_MI14_4_2		Fuel Injection Pump			
FIG.	REF.	QTY	DESCR.	FROM	UPTO
1	13525002	1	Plate,name		
1-30	13525001	1	Pump Assy Fuel IN		
2	13125003	2	RIVET		
3	13125004	2	Holder DELIVERY V		
4	13125005	1	Housing Assy		
5	13125006	2	Spring DELIVERY V		
6	13125007	2	Gasket DELIVERY V		
7	13125008	2	Valve SUB Assy DE		
8	13525009	2	Element Assy		
9	13125010	2	SLEEVE		
10	13125011	2	Seat Spring Upper		
11	13125012	2	Spring Plunger		
12	13125013	2	Seat Spring LOWER		
13A	13125014	0	Shim Adjusting T=0,60 [VAR]		
13B	13125015	0	Shim Adjusting T=0,2 [VAR]		
13C	13125016	0	Shim Adjusting T=0,3 [VAR]		
13D	13125017	0	Shim Adjusting T=0,4 [VAR]		
13E	13125018	0	Shim Adjusting T=0,5 [VAR]		
13F	13125019	0	Shim Adjusting T=0,25 [VAR]		
13G	13125020	0	Shim Adjusting T=0,35 [VAR]		
14	13125021	2	Tappet SUB Assy		
15	13125022	2	Pin Tappet Guide		
16	13125023	1	Plate		
17	13125024	1	RACK		
18	13125025	1	Washer		
19	13125026	1	Screw Air BRETATH		
20	13125027	1	Screw HOLLOW		
22	13525029	1	Washer WAVE		
24	13125030	1	Plate Assy Pressure		
25	13525031	1	Spring Return		
26	13125032	1	Pin SPLIT		
27	13125033	1	O-Ring D. 15X2,5		
28A	13125034	0	Washer Plate T=0,1mm [VAR]		
28B	13125035	0	Washer Plate T=0,2mm [VAR]		
28C	13125036	0	Washer Plate T=0,25mm [VAR]		



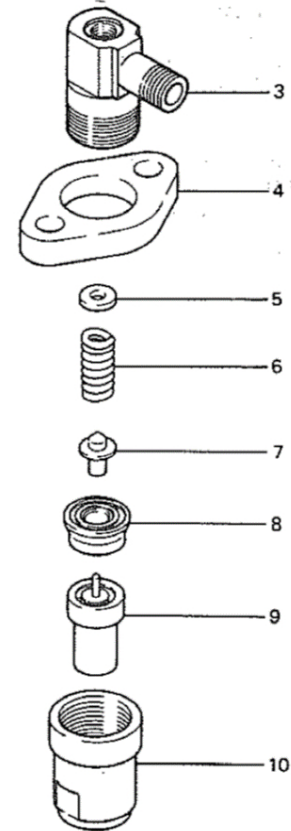
[VAR] Variable according to repair



D_MI14_4_2		Fuel Injection Pump			
FIG.	REF.	QTY	DESCR.	FROM	UPTO
28D	13125037	0	Washer Plate T=0,5mm [VAR]		
29A	13125038	0	Stopper [VAR]		
29B	13125039	0	Stopper [VAR]		
29C	13125040	0	Stopper [VAR]		
29D	13125041	0	Stopper [VAR]		
29E	13125042	0	Stopper [VAR]		
29F	13125043	0	Stopper [VAR]		
29G	13125044	0	Stopper [VAR]		
29H	13125045	0	Stopper [VAR]		
29I	13125046	0	Stopper [VAR]		



D_MI14_4_3		Nozzle				
FIG.	REF.	QTY	DESCR.	FROM	UPTO	
1-10	13126001	2	Nozzle			
3	13126002	2	Body			
4	13126008	2	Flange			
5B	13126010	0	Washer [VAR]			
5C	13126012	0	Washer [VAR]			
5D	13126013	0	Washer [VAR]			
5E	13126014	0	Washer [VAR]			
5F	13126015	0	Washer [VAR]			
5G	13126016	0 <td Washer [VAR]				
6	13126004	2	Spring			
7	13126002	2	Body			
9	13126018	2	Nozzle Assy			
10	13126006	2	Nut RETAINING			

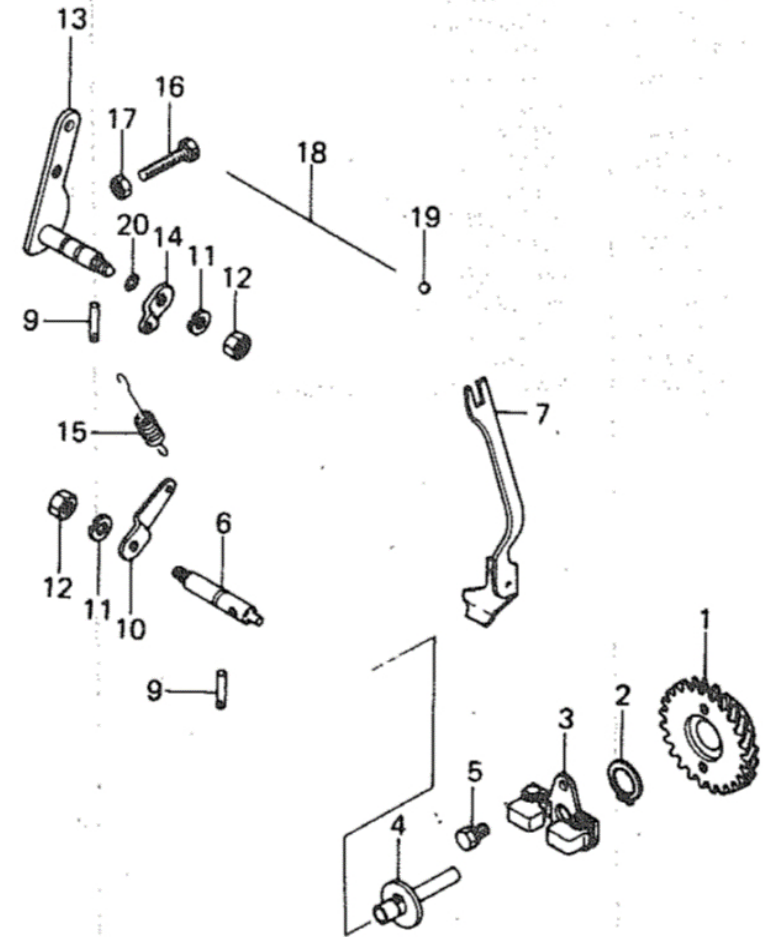


[VAR] Variable according to repair





D_MI14_4_4		Governor Parts				
FIG.	REF.	QTY	DESCR.	FROM	UPTO	
1	13123001	1	Gear GOverNOR			
2	13123002	1	CIRClip DIN 471 E-20			
3	13123003	1	WEIGHT Assy GOver			
4	13123004	1	Shaft Sliding			
5	13123005	2	Bolt DIN 933 M6-12 8.8 [NP]			
6	13123006	1	Shaft GOverNOR			
7	13523007	1	Lever Fork			
9	13123009	2	Pin GROOVED			
10	13523010	1	Lever GOverNOR SP			
11	13120049	2	Washer GROWER DIN 127-8			
12	13123013	2	Nut DIN 934 M8 8.8			
13	13523014	1	Lever Assy SPEED			
14	13123015	1	Lever GOverNOR SP			
15	13523016	1	Spring GOverNOR			
16	13123017	1	Bolt High Speed			
17	13123018	1	Spring,return			
18	13123019	1	Metal Sealing			
19	17623020.4	1	Metal,Fuel	02/08/2017		
19	13123020	1	Metal,Fuel [NP]		02/08/2017	
20	13123021	1	O-Ring D. 7X1.8			
NS	13123008	2	Bolt DIN 933 M6-16 8.8 [NS]			

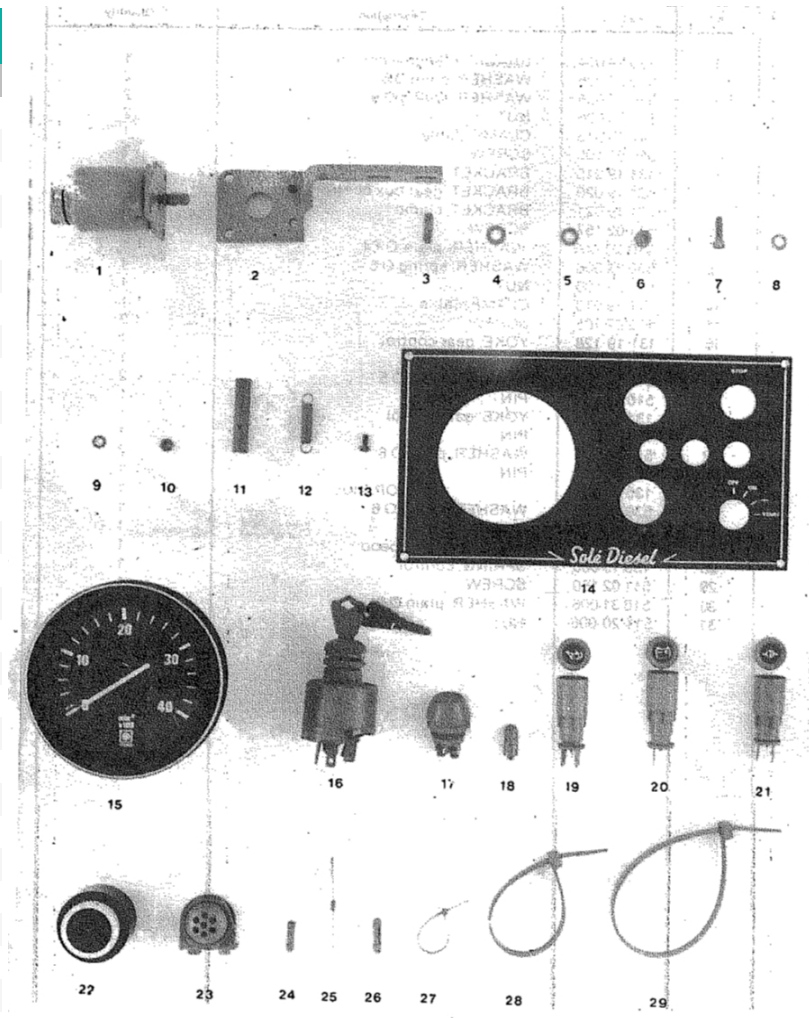


[NP] Not provided
 [NS] Not shown





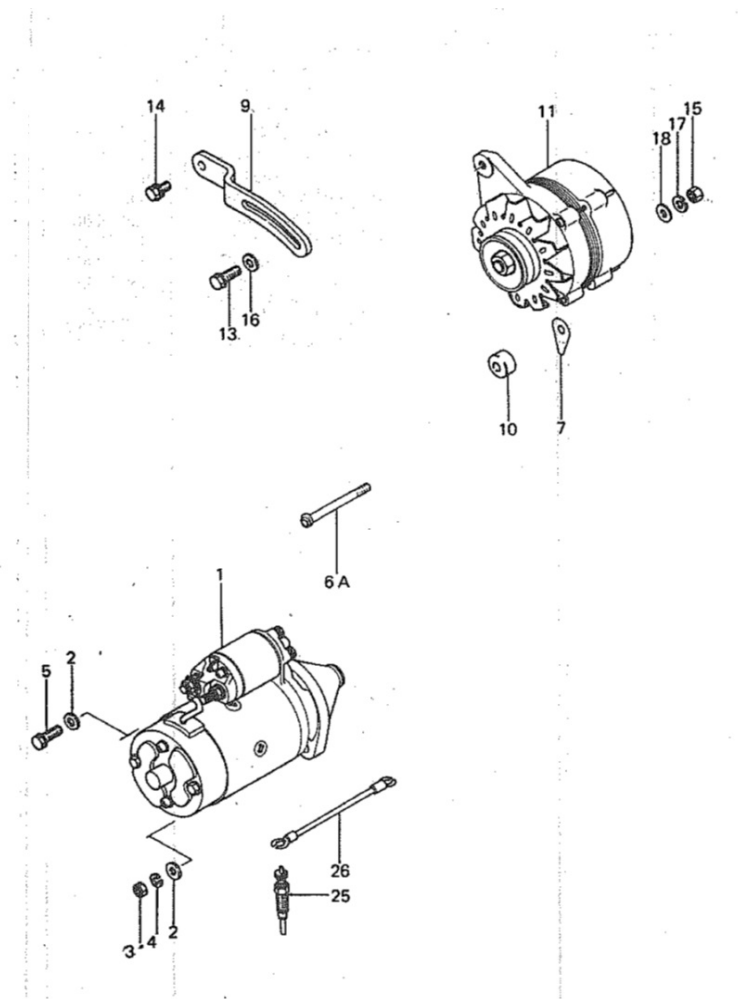
D_MI14_5_1		Electrical System 1			
FIG.	REF.	QTY	DESCR.	FROM	UPTO
1	13424025	1	Solenoid		
2	13117002	1	Bracket		
3	13117003	4	TENSION DEVICE		
4	51030006	2	Washer DIN 125-6		
5	53033006	2	Washer GROWER DIN 127-6		
6	51120006	2	Nut DIN 934 M6 8.8		
7	51102106	4	Bolt DIN 933 M5-15 8.8		
8	51030005	4	Washer DIN 125-5		
9	53033005	4	Washer GROWER DIN 127-5		
10	51120005	4	Nut DIN 934 M5 8.8		
11	13517006	1	ROD,solenoid		
12	14619040	1	Spring,stop		
13	51108052	1	Bolt DIN 84 M4-6 5.6 [NP]		
14	60931001	1	Panel		
14-25	60935000	1	Panel MINI-14		
15	60934010	1	TACHOMETER VDO MINI-34		
16	60900031	1	Key-Locking Switch		
17	60900040	1	Pushbutton Stop [NP]		13/07/2017
17	60900049	1	Pushbutton Stop [NP]		13/07/2017
18	60900045	3	Bulb 12V 3W Connector B		
19	60900050	1	LAMP, oil press.		
20	60900051	1	LAMP, charge		
21	60900052	1	LAMP, water temp.		
22	60900060	1	Alarm, SWITCH		
23	60931095	1	LAMP Glow		
24	60900115	2	Fuse 3 A.		
25A	60900110	2	DIODE 3 A.		
25B	60937200	1	Wiring,electrical MINI 10and14		
26	60900116	1	Fuse 40 A.		
27	58088221	1	Pastic Cable Zip Tie [NP]		
28	58088221	1	Pastic Cable Zip Tie [NP]		
29	58088272	1	Pastic Cable Zip Tie [NP]		



[NP] Not provided



D_MI14_5_2		Electrical System 2				
FIG.	REF.	QTY	DESCR.	FROM	UPTO	
1	13527001	1	Starter Assy 12 V			
2	13127014	2	Washer DIN 125-8			
3	13527002	1	Nut DIN 934 M8 8.8			
4	13120049	1	Washer GROWER DIN 127-8			
5	13127012	1	Bolt DIN 933 M8-25 8.8			
6	13227008	1	Bolt			
7	13127005	5	Shim Adjusting			
9	13127007	1	Brace Generator [NP]			
10	13527006	1	Spacer			
11	13627010	1	Alternator 12V/35A			
13	13127012	1	Bolt DIN 933 M8-25 8.8			
15	13120045	1	Nut DIN 934 M12-1,25 8.8			
16	13127014	1	Washer DIN 125-8			
17	13120049	1	Washer GROWER DIN 127-8			
18	13120048	1	Washer DIN 125-8			
25	13127017	2	Plug Glow Type V-110			
26	13127018	1	Wire Glow Plug LE			

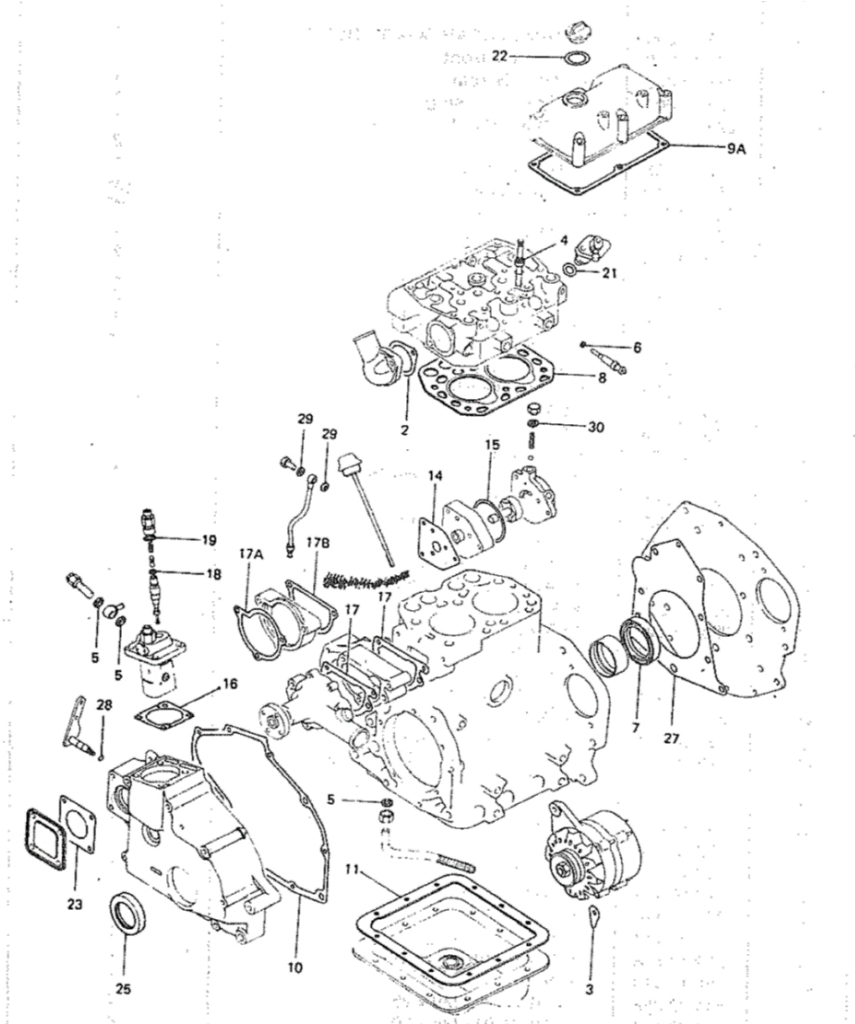


[NP] Not provided

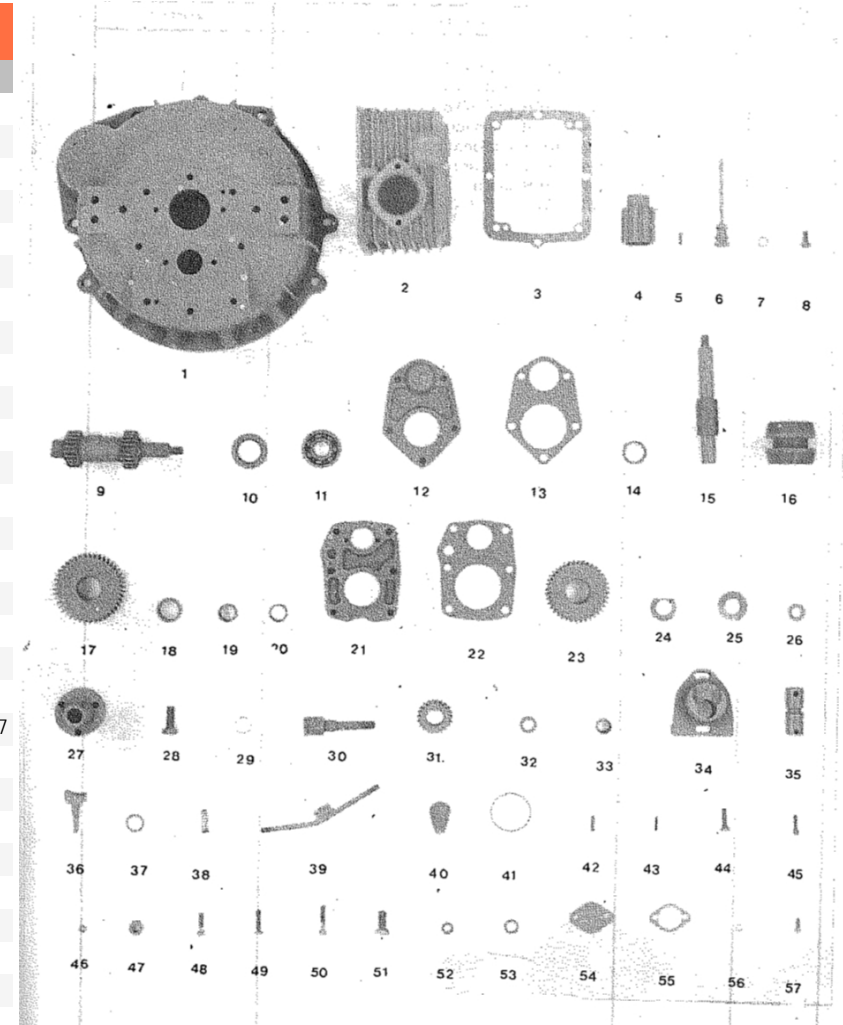




D_MI14_6_1		Gasket Kit			
FIG.	REF.	QTY	DESCR.	FROM	UPTO
2	13211054	1	Engine Water OutLER Gasket		
2-30	13520101	1	Kit Gasket		
3	13127005	3	Shim Adjusting		
4	13222054	4	Seal Valve Stem		
5	13124001	3	Washer		
7	13120019	1	Seal Oil		
8	13521004	1	Gasket Cylinder H		
9	13521010	1	Gasket Rocker COV		
10	13520040	1	Gasket Gear Case		
11	13520032	1	Gasket OilPAN		
14	13124041	1	Gasket Oil Pump B		
15	13124049	1	O-Ring D. 68X2		
16A	13124003	1	Shim Adjusting T=0,2mm		
16B	13124004	1	Shim Adjusting T=0,3mm		
16C	13124005	1	Shim Adjusting T=0,4mm		
16D	13124009	1	Shim Adjusting T=0,8mm		
17A	13521030	1	Gasket Water Pump		
17B	13521022	1	Gasket Water Pump		
18	13125007	2	Gasket DELIVERY V		
19	13125033	2	O-Ring D. 15X2,5		
21	13124013	2	Gasket Nozzle HOL		
23	13124047	1	Shaft Oil Filter		
25	13120039	1	Seal OIL		
27	13520025	1	Gasket REAR Plate		
28	13123021	1	O-Ring D. 7X1,8		
29	13124059	2	Gasket		
30	13124046	1	Gasket		



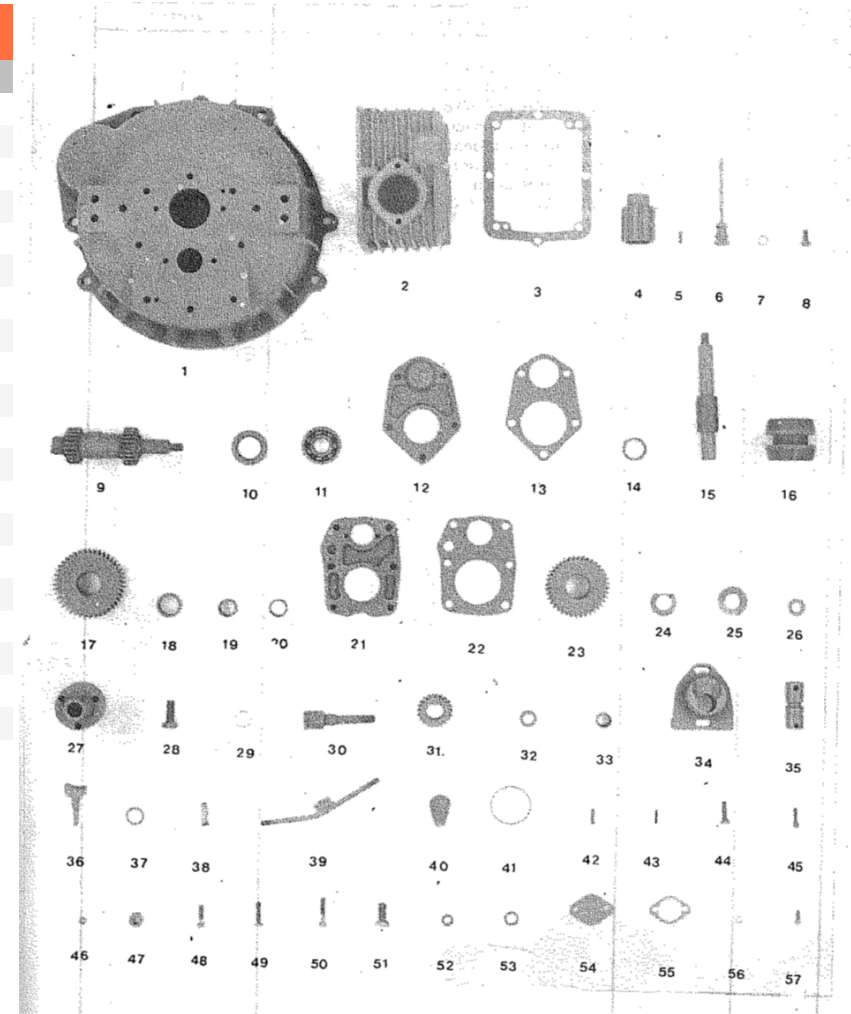
D_22313200		GearBox RONIM III R.2,00			
FIG.	REF.	QTY	DESCR.	FROM	UPTO
1	22310020	1	Housing,rear		
1-57	22313200	1	GearBox Assy RONIM 3 M-14 2:1 [NP]		
2	22313002	1	Housing,rear [NP]		
3	22310003	1	Gasket		
4	22310025	1	Flange, input [NP]		
5	22210007	2	Pin		
6	22310008	1	Plug,oil level		
7	13820044	1	O-Ring D. 11x2,5		
8	22310011	1	Plug,oil drain		
9	22313101	1	Shaft,input 2:1 [NP]		
10	22210102	2	Cover,front		
11	22210104	2	Ball Bearing 6304-NR		
12	22310102	2	Cover,front [NP]		
13	22310105	1	Gasket		
15	22310201	1	Shaft,output [NP]		
16	22210202	1	CONE,clutch [NP]		
17	22313203	1	Gear,front [NP]		
18	22210204	2	Bearing,needle		
19	22210205	2	Ring		
20	22310207	1	Cover,rear [NP]		31/08/2017
21	22310208	1	Cover,rear		
22	22310209	1	Gasket,rear cover		
23	22310210	2	Gear,rear [NP]		
24	22310217	1	Spacer,Gear		
25	22310218	1	Spacer,bearing		
26	22210219	1	Washer		
27	22310225	1	PLANGE,output mini 14 [NP]		
28	25210222	1	Bolt,blockage		
29	22210225	1	O-Ring D. 20X23X1,5		
30	22310301	1	Intermediate Shaft		
31	22310302	1	Gear,INTERMEDIATE [NP]		
32	22310304	1	Washer,friction [NP]		
34	22310401	1	Control Assy		
35	22310402	1	EXCENTRICA,control		
37	25210408	1	O-Ring D. 18,3X25,5X3,6		

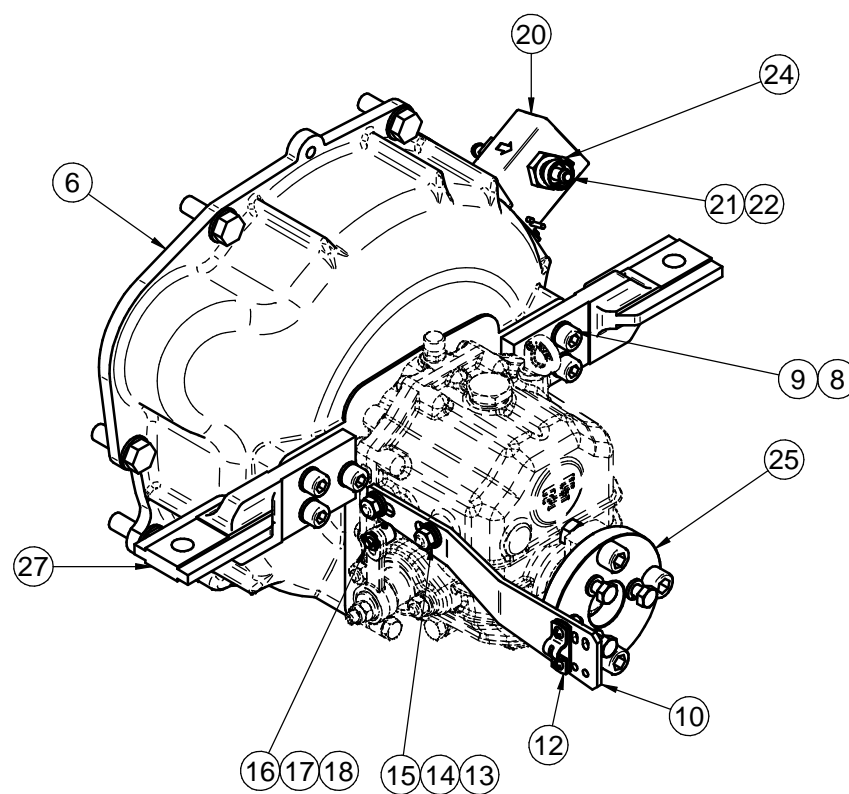
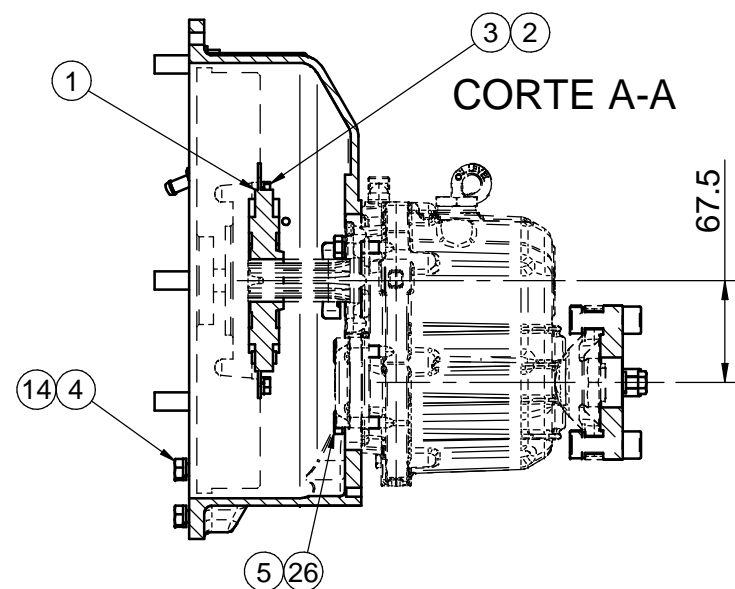
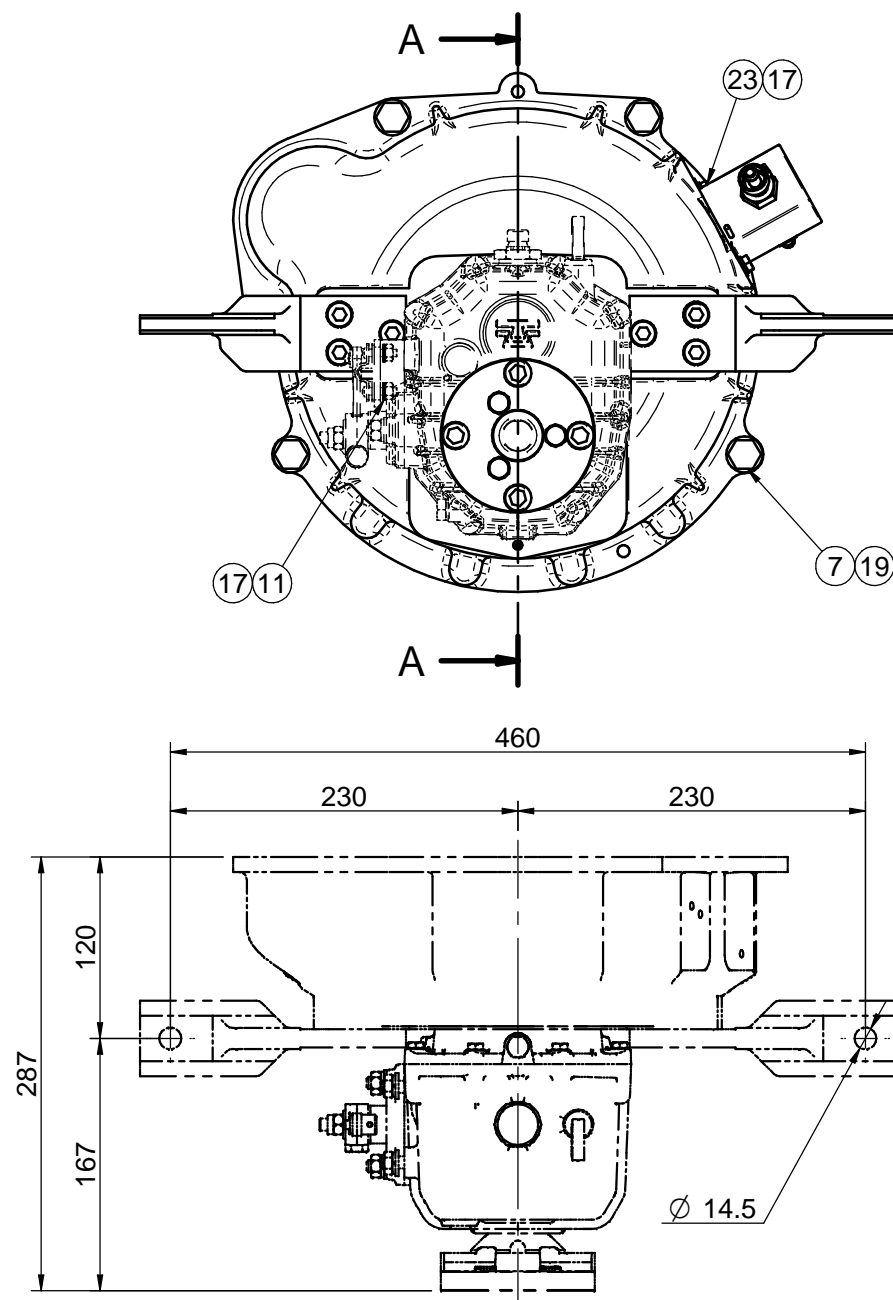


[NP] Not provided



D_22313200		GearBox RONIM III R.2,00				
FIG.	REF.	QTY	DESCR.	FROM	UPTO	
38	25210411	1	Spring			
39	22210413	1	Lever,control			
40	22110416	1	Handle			
41	22310417	1	O-Ring D. 49X2,5			
42	25210418	1	Eccentric Command			
43	25210419	1	Spring,exterior			
44	51102258	2	Bolt DIN 933 M8-25 8.8			
45	52103157	2	Bolt DIN 912 M6-20 8.8			
46	52120006	2	Nut DIN 934 M6 8.8			
47	51120012	3	Nut DIN 934 M12 5.6			
48	52101258	11	Bolt DIN 931 M8-25 8.8			
49	52101259	2	Bolt DIN 931 M8-30 8.8			
50	52101260	5	Bolt DIN 931 M8-35 8.8			
51	53102358	1	Bolt DIN 933 M12-25 12.9 [NP]			
52	51030008	20	Washer DIN 125-8			
53	56000116	1	Washer 12,5-20-2			
54	32111023	1	Gasket			
55	22410226	1	Cover [NP]			
56	57000353	2	Washer 6,2-11-1,5			
57	51102156	2	Bolt DIN 933 M6-16 8.8			





Kit sustitución RONIM III por TMC-40P

- Si el volante no está mecanizado ya, se tendrá que mecanizar a parte según el plano de la siguiente página.

- La bomba de alimentación de combustible necesita ser conectada a una fuente eléctrica de 12V durante el funcionamiento del motor.

RONIM III to TMC-40P replacement kit

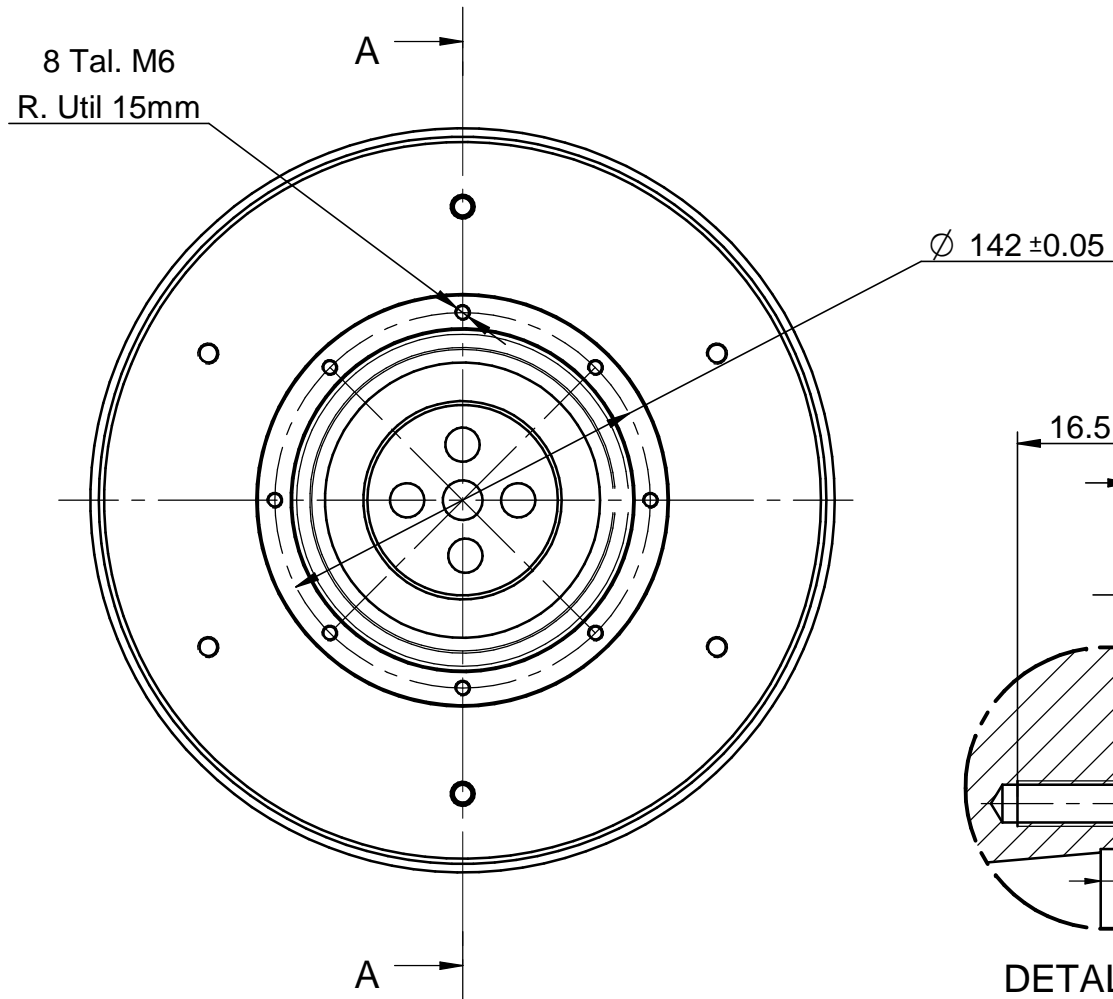
- If the flywheel is not mechanized yet, It is needed mechanize it separately according to drawing of the next page.

- The fuel feeding pump must be connected to a 12V electric source while the engine is running.

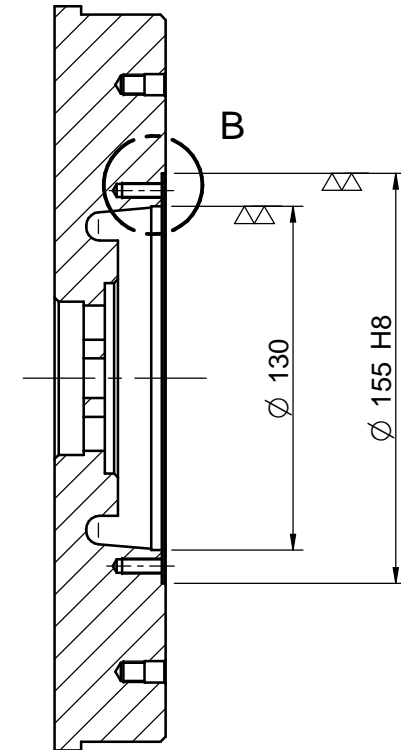
* Inversor TMC-40P no incluido (se suministra a parte)
TMC-40P gearbox not included (supplied separately)

Nº	Referencia	Descripción	Material	Cant.
1	13110040	ACOPLAMIENTO ELASTICO		1
2	53033006	ARANDELA GROWER DIN 127 Ø6	Acero	8
3	52102155	TORNILLO M6x12 DIN 933	ACERO 8.8	8
4	52102257	TORNILLO DIN 933 M8x20 8.8 CINCADO	Acero 8.8	4
5	53038008	ARANDELA ESTRIADA Ø8 DIN-6798A	Acero	6
6	22510010	CARCASA ACOPL. COLA "S" MI17/26	Aluminio	1
7	52202360	TORNILLO M12x1.25, L= 35 DIN 933	ACERO 8.8	6
8	53033010	ARANDELA GROWER Ø10 DIN-127	Acero	6
9	52103309	TORNILLO M10 x 30 DIN 912	Acero 8.8	6
10	24810901	SOPORTE MORSE INVERSOR	S-275 JR	1
11	51030005	ARANDELA PLANA DIN125-05	Acero	2
12	24810913	BRIDA FIJACION CABLE		1
13	51030008	ARANDELA ACERO DIN125-8 CINCADA	Acero	2
14	53033008	ARANDELA GROWER DIN 127-8 CINCADA	Acero	6
15	52120008	TUERCA M8 DIN-934	Acero	2
16	14719115	TERMINAL CABLE	Latón	1
17	51030006	ARANDELA PLANA Ø6 DIN125	Acero	3
18	51051107	PASADOR ALETAS Ø1.6x16 DIN 94	Acero	1
19	53038012	ARANDELA ESTRIADA Ø12 DIN-6798A		6
20	13814070	BOMBA ALIMENTACIÓN ELECTRICIA 12V		1
21	13814072	ENTRONQUE 1/8" NPTF	F-111	2
22	57000361	ARANDELA	Aluminio	3
23	52102154	TORNILLO M6x10 DIN 933	Acero 8.8	2
24	51086016	ABRAZADERA UNA OREJA CON ARO	AISI A-304	1
25	40019110	CONJUNTO ADAP. BRIDA 62 A 102		1
26	52102258	TORNILLO M8 x 25 DIN-933	Acero	6
27	13210010	SOPORTE POSTERIOR	F. Nodular	2


Medidas Nominales (mm)		KIT SUST. RONIM A TMC-40P MINI-14				
		RONIM TO TMC-40P REPL. KIT FOR MINI-14				
		MATERIAL	ACABADO	TRATAMIENTO	PRESENTACION	ESCALA
0	6	DIBUJADO	VERIFICADO	GRADO PRECISION	FECHA CREACION	ÚLTIMA REVISIÓN
		OSCARV	P.IGLESIAS	MEDIO	23/06/2021	
Grado de Precisión DIN-7168	Fino			SOLE, S.A.	13510242	



CORTE A-A



DETALLE B

Medidas Nominales (mm)		100	VOLANTE MECANIZADO D.155				
a		300	MEC. FLYWHEEL D.155 CENTERING GROOVE				
a		±0.2	MATERIAL	ACABADO	TRATAMIENTO	PRESENTACIÓN	ESCALA
a		±0.15					/.
a		±0.1	DIBUJADO	VERIFICADO	GRADO PRECISIÓN	FECHA CREACIÓN	ÚLTIMA REVISIÓN
a		±0.2	OSCARV	P.IGLESIAS	MEDIO	23/06/2021	---
a		±0.1			SOLÉ, S.A.		
a		±0.05					
a		±0.2					
a		±0.5					
a		±0.8					
a		±1.2					