



# V-SHAPED MARINE TYPE

## DESCRIPTION

The AMC-Mecanocaucho® V-shaped marine mount works the rubber section in shear compression. It is comprised of 2 metal parts which permit its installation by means of a screw at the top and two holes for securing it to the chassis.

## TECHNICAL CHARACTERISTICS

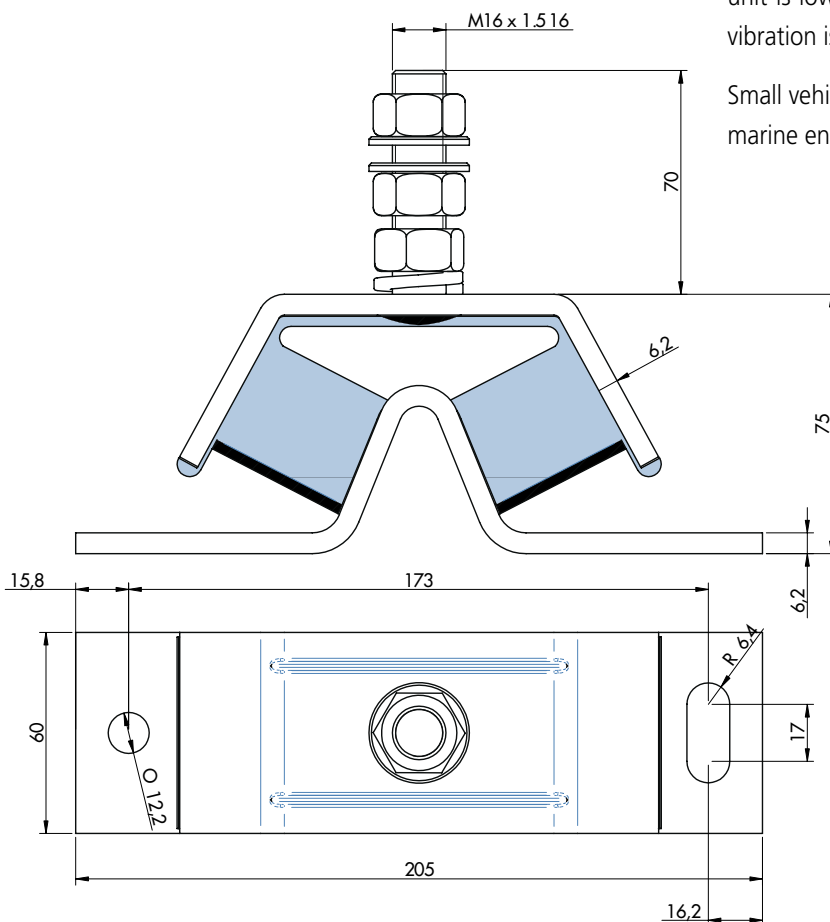
The AMC-Mecanocaucho® V-shaped marine mount has a V-shaped design providing high deflections for relatively low loads. This means that the natural frequency is low and ideal for engines which normally work at iddle speed.

It has three different stiffness rates X,Y,Z which permits adjustments of system modes for optimal isolation and stability.

## APPLICATIONS

It is used in applications where the load of the suspended unit is low, where high deflection is required to reach high vibration isolation levels.

Small vehicle or machines, small and medium-sized gen sets, marine engines...

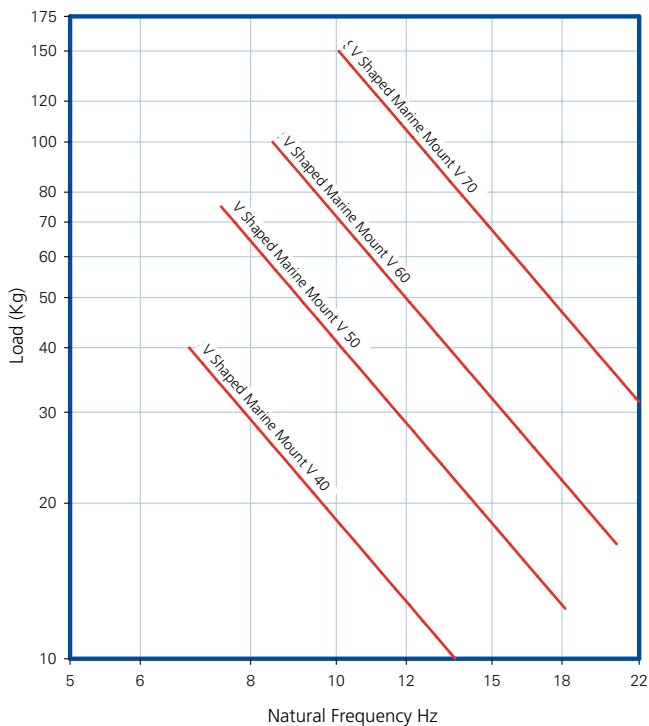


TYPE	CODE	CODE	CODE	CODE	WEIGHT (g)
	40 shore Load (Kg.)	50 shore Load (Kg.)	60 shore Load (Kg.)	70 shore Load (Kg.)	
V-shaped marine	148001	148003	148004	148006	1720
	40	75	100	150	



### DYNAMIC V-SHAPED MARINE TYPE

NATURAL FREQUENCIES OF THE AMC-MECANOCAUCHO TYPE MARINE V SHAPED MOUNT



### DEFLECTION MARINE TYPE V

LOAD DEFLECTION OF THE AMC-MECANOCAUCHO TYPE MARINE V SHAPED MOUNT

